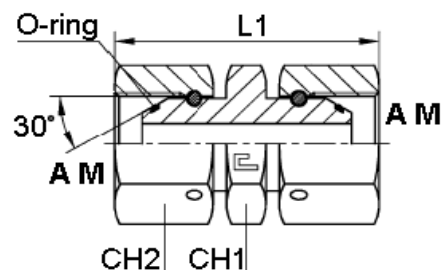


VISOKOTLAČNI RAVNI NIPELI I REDUKCIJE

Tip	Oznaka PARKER	Napomena
-----	------------------	----------

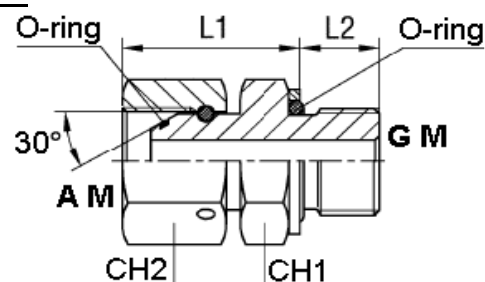
AM - AM

A M12x1,5 - A M12x1,5
A M14x1,5 - A M14x1,5
A M16x1,5 - A M16x1,5
A M18x1,5 - A M18x1,5
A M22x1,5 - A M22x1,5
A M26x1,5 - A M26x1,5
A M30x1,5 - A M30x1,5



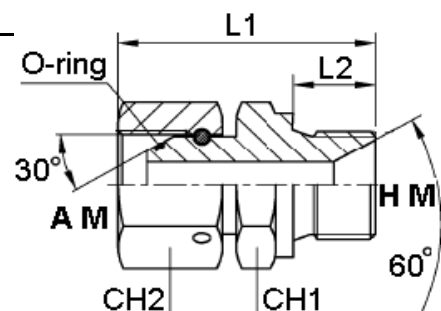
AM - GM

A M12x1,5 - G M12x1,5
A M14x1,5 - G M14x1,5
A M16x1,5 - G M16x1,5
A M18x1,5 - G M18x1,5
A M22x1,5 - G M22x1,5
A M26x1,5 - G M26x1,5
A M30x1,5 - G M30x1,5



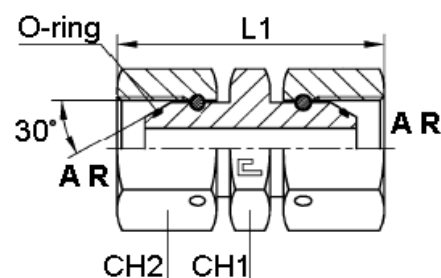
AM - HM

A M12x1,5 - H M12x1,5
A M14x1,5 - H M14x1,5
A M16x1,5 - H M16x1,5
A M18x1,5 - H M18x1,5
A M22x1,5 - H M22x1,5
A M26x1,5 - H M26x1,5
A M30x1,5 - H M30x1,5



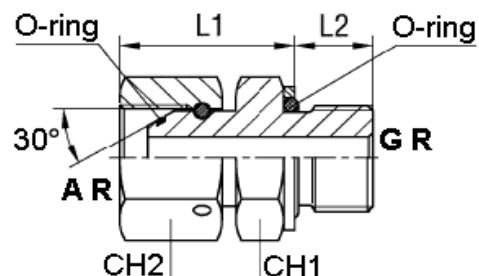
AR - AR

AR 1/8" - AR 1/8"
AR 1/4" - AR 1/4"
AR 1/4" - AR 3/8"
AR 1/4" - AR 1/2"
AR 3/8" - AR 3/8"
AR 3/8" - AR 1/2"
AR 1/2" - AR 1/2"
AR 1/2" - AR 3/4"
AR 5/8" - AR 5/8"
AR 3/4" - AR 3/4"
AR 1" - AR 1"
AR 1.1/4" - AR 1.1/4"
AR 1.1/2" - AR 1.1/2"
AR 2" - AR 2"

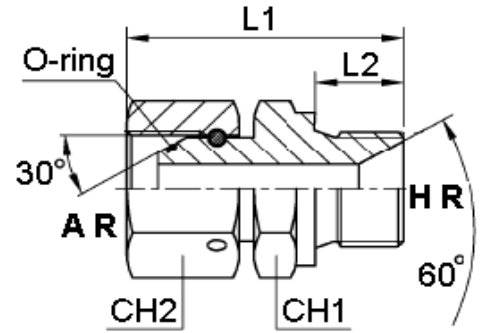


AR - GR

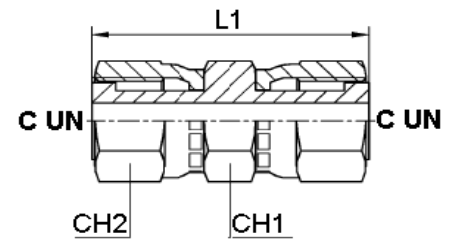
AR 1/8" - GR 1/8"
AR 1/4" - GR 1/4"
AR 3/8" - GR 3/8"
AR 1/2" - GR 1/2"
AR 5/8" - GR 1/2"
AR 3/4" - GR 3/4"
AR 1" - GR 1"
AR 1.1/4" - GR 1.1/4"
AR 1.1/2" - GR 1.1/2"
AR 2" - GR 2"



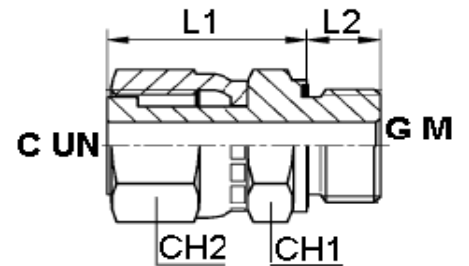
AR - HR	-	-
AR 1/8" - HR 1/8"		
AR 1/4" - HR 1/4"		
AR 1/4" - HR 3/8"		
AR 1/4" - HR 1/2"		
AR 3/8" - HR 1/4"		
AR 3/8" - HR 3/8"		
AR 3/8" - HR 1/2"		
AR 1/2" - HR 3/8"		
AR 1/2" - HR 1/2"		
AR 1/2" - HR 3/4"		
AR 5/8" - HR 5/8"		
AR 3/4" - HR 1/2"		
AR 3/4" - HR 3/4"		
AR 3/4" - HR 1"		
AR 1" - HR 1"		
AR 1.1/4" - HR 1.1/4"		
AR 1.1/2" - HR 1.1/2"		
AR 2" - HR 2"		



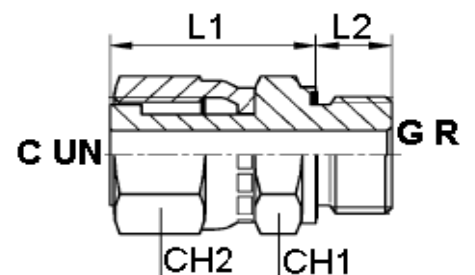
C UN/UNF/UNS - C UN/UNF/UNS	HL6	-
C UNF 9/16" - C UNF 9/16"	4 HL6S	
C UN 11/16" - C UN 11/16"	6 HL6S	
C UN 13/16" - C UN 13/16"	8 HL6S	
C UNS1" - C UNS1"	10 HL6S	
C UN 1. 3/16" - C UN 1. 3/16"	12 HL6S	
C UN 1. 7/16" - C UN 1. 7/16"	16 HL6S	
C UN 1.11/16" - C UN 1.11/16"	20 HL6S	
C UN 2" - C UN 2"	24 HL6S	



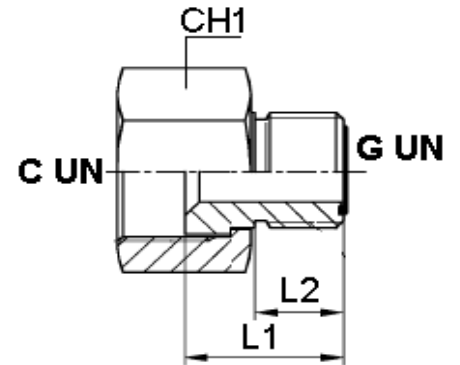
C UN/UNF/UNS - G M	F687OML	-
C UNF 9/16" - G M10x1	4M10 F687OMLS	
C UNF 9/16" - G M12x1,5	4M12 F687OMLS	
C UN 11/16" - G M14x1,5	6M12 F687OMLS	
C UN 11/16" - G M16x1,5	6M16 F687OMLS	
C UN 13/16" - G M16x1,5	8M16 F687OMLS	
C UN 13/16" - G M18x1,5	8M18 F687OMLS	
C UNS1" - G M18x1,5	10M18 F687OMLS	
C UNS1" - G M22x1,5	10M22 F687OMLS	
C UN 1. 3/16" - G M22x1,5	12M22 F687OMLS	
C UN 1. 3/16" - G M27x2	12M27 F687OMLS	
C UN 1. 7/16" - G M27x2	16M27 F687OMLS	
C UN 1. 7/16" - G M33x2	16M33 F687OMLS	
C UN 1.11/16" - G M42x2	20M42 F687OMLS	
C UN 2" - G M48x2	24M48 F687OMLS	



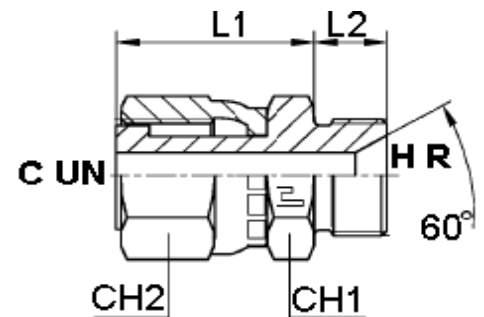
C UN/UNF/UNS - G R	F642EDMLO	-
C UNF 9/16" - G R 1/8"	4 F642EDMLS	
C UNF 9/16" - G R 1/4"	4- 4 F642EDMLS	
C UN 11/16" - G R 1/4"	6 F642EDMLS	
C UN 11/16" - G R 3/8"	6- 6 F642EDMLS	
C UN 13/16" - G R 3/8"	8 F642EDMLS	
C UN 13/16" - G R 1/2"	8- 8 F642EDMLS	
C UNS1" - G R 1/2"	10 F642EDMLS	
C UN 1. 3/16" - G R 3/4"	12 F642EDMLS	
C UN 1. 3/16" - G R1.1/4"	12-20 F642EDMLS	
C UN 1. 7/16" - G R1"	16 F642EDMLS	
C UN 1.11/16" - G R1.1/4"	20 F642EDMLS	
C UN 2" - G R1.1/2"	24 F642EDMLS	



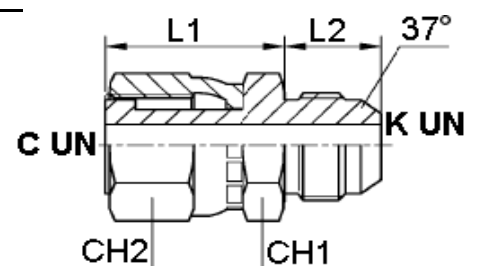
C UN//UNS - G UN/UNF/UNS		-	-
C UN 11/16"	- G UNF 9/16"		
C UN 13/16"	- G UNF 9/16"		
C UN 13/16"	- G UN 11/16"		
C UNS1"	- G UNF 9/16"		
C UNS1"	- G UN 11/16"		
C UNS1"	- G UN 13/16"		
C UN 1. 3/16"	- G UNF 9/16"		
C UN 1. 3/16"	- G UN 11/16"		
C UN 1. 3/16"	- G UN 13/16"		
C UN 1. 3/16"	- G UNS1"		
C UN 1. 7/16"	- G UNF 9/16"		
C UN 1. 7/16"	- G UN 11/16"		
C UN 1. 7/16"	- G UN 13/16"		
C UN 1. 7/16"	- G UNS1"		
C UN 1. 7/16"	- G UN 1. 3/16"		
C UN 1.11/16"	- G UNF 9/16"		
C UN 1.11/16"	- G UN 11/16"		
C UN 1.11/16"	- G UN 13/16"		
C UN 1.11/16"	- G UNS1"		
C UN 1.11/16"	- G UN 1. 3/16"		
C UN 1.11/16"	- G UN 1. 7/16"		
C UN 2"	- G UNF 9/16"		
C UN 2"	- G UN 11/16"		
C UN 2"	- G UN 13/16"		
C UN 2"	- G UNS1"		
C UN 2"	- G UN 1. 3/16"		
C UN 2"	- G UN 1. 7/16"		
C UN 2"	- G UN 1.11/16"		



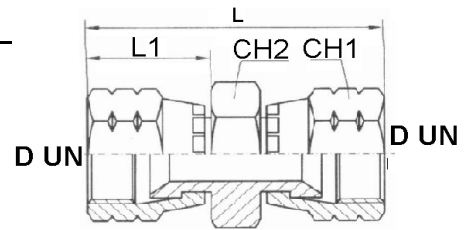
C UN/UNF/UNS - H R		-	-
C UNF 9/16"	- H R 1/8"		
C UNF 9/16"	- H R 1/4"		
C UNF 9/16"	- H R 3/8"		
C UN 11/16"	- H R 1/4"		
C UN 11/16"	- H R 3/8"		
C UN 11/16"	- H R 1/2"		
C UN 13/16"	- H R 1/4"		
C UN 13/16"	- H R 3/8"		
C UN 13/16"	- H R 1/2"		
C UN 13/16"	- H R 3/4"		
C UNS1"	- H R 3/8"		
C UNS1"	- H R 1/2"		
C UNS1"	- H R 5/8"		
C UNS1"	- H R 3/4"		
C UN 1. 3/16"	- H R 1/2"		
C UN 1. 3/16"	- H R 3/4"		
C UN 1. 3/16"	- H R1"		
C UN 1. 7/16"	- H R 3/4"		
C UN 1. 7/16"	- H R1"		
C UN 1. 7/16"	- H R1.1/4"		
C UN 1.11/16"	- H R1.1/4"		
C UN 2"	- H R1.1/2"		



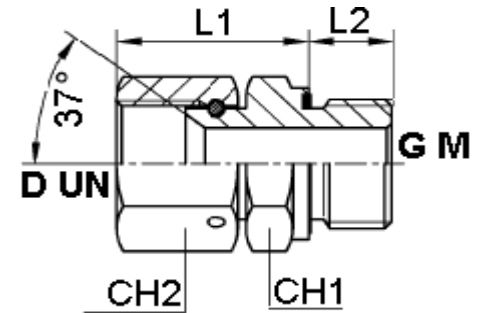
C UN/UNF/UNS - K UN/UNF		XHML6	-
C UNF 9/16"	- K UNF 7/16"	4 XHML6S	
C UN 11/16"	- K UNF 1/ 2"	5 XHML6S	
C UN 11/16"	- K UNF 9/16"	6 XHML6S	
C UN 13/16"	- K UNF 3/ 4"	8 XHML6S	
C UNS1"	- K UNF 7/ 8"	10 XHML6S	
C UN 1. 3/16"	- K UN1.1/16"	12 XHML6S	
C UN 1. 7/16"	- K UN1.5/16"	16 XHML6S	
C UN 1.11/16"	- K UN1.5/ 8"	20 XHML6S	
C UN 2"	- K UN1.7/ 8"	24 XHML6S	



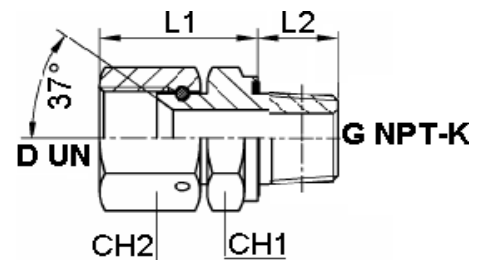
D UN/UNF - D UN/UNF	-	-
D UNF 3/ 4" - D UNF 3/ 4"		
D UNF 7/ 8" - D UNF 7/ 8"		
D UN1.1/16" - D UN1.1/16"		



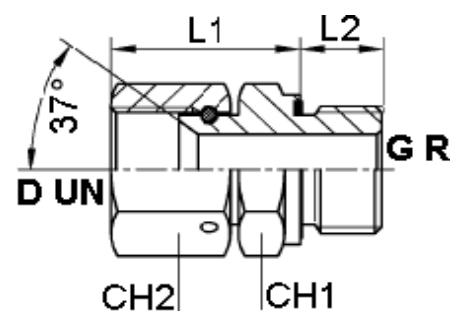
D UN/UNF - G M	F687OMX	-
D UNF 7/16" - G M10x1	4-M10 F687OMXS	
D UNF 7/16" - G M12x1,5	4-M12 F687OMXS	
D UNF 1/ 2" - G M10x1	5-M10 F687OMXS	
D UNF 1/ 2" - G M12x1,5	5-M12 F687OMXS	
D UNF 1/ 2" - G M14x1,5	5-M14 F687OMXS	
D UNF 9/16" - G M14x1,5	6-M14 F687OMXS	
D UNF 9/16" - G M16x1,5	6-M16 F687OMXS	
D UNF 3/ 4" - G M16x1,5	8-M16 F687OMXS	
D UNF 3/ 4" - G M18x1,5	8-M18 F687OMXS	
D UNF 7/ 8" - G M18x1,5	10-M18 F687OMXS	
D UNF 7/ 8" - G M20x1,5	10-M20 F687OMXS	
D UNF 7/ 8" - G M22x1,5	10-M22 F687OMXS	
D UN1.1/16" - G M22x1,5	12-M22 F687OMXS	
D UN1.1/16" - G M27x2	12-M27 F687OMXS	
D UN1.5/16" - G M27x2	16-M27 F687OMXS	
D UN1.5/16" - G M33x2	16-M33 F687OMXS	
D UN1.5/ 8" - G M42x2	20-M42 F687OMXS	
D UN1.7/ 8" - G M48x2	24-M48 F687OMXS	



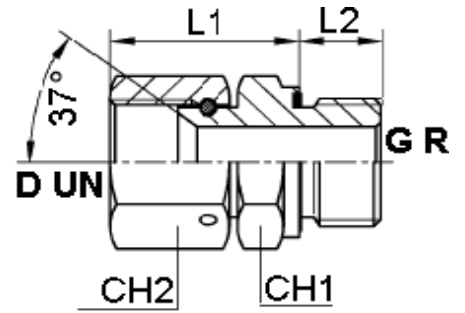
D UN/UNF - G NPT-K	F6MX	-
D UNF 7/16" - G NPT 1/8"	4 F6XMS	
D UNF 7/16" - G NPT 1/4"	4- 4 F6XMS	
D UNF 1/ 2" - G NPT 1/8"	5 F6XMS	
D UNF 1/ 2" - G NPT 1/4"	5- 4 F6XMS	
D UNF 9/16" - G NPT 1/8"	6- 2 F6XMS	
D UNF 9/16" - G NPT 1/4"	6 F6XMS	
D UNF 9/16" - G NPT 3/8"	6- 6 F6XMS	
D UNF 9/16" - G NPT 1/2"	6- 8 F6XMS	
D UNF 3/ 4" - G NPT 1/4"	8- 4 F6XMS	
D UNF 3/ 4" - G NPT 3/8"	8 F6XMS	
D UNF 3/ 4" - G NPT 1/2"	8- 8 F6XMS	
D UNF 3/ 4" - G NPT 3/4"	8-12 F6XMS	
D UNF 7/ 8" - G NPT 3/8"	10- 6 F6XMS	
D UNF 7/ 8" - G NPT 1/2"	10 F6XMS	
D UNF 7/ 8" - G NPT 3/4"	10-12 F6XMS	
D UN1.1/16" - G NPT 1/2"	12- 8 F6XMS	
D UN1.1/16" - G NPT 3/4"	12 F6XMS	
D UN1.5/16" - G NPT 3/4"	16-12 F6XMS	
D UN1.5/16" - G NPT1"	16 F6XMS	
D UN1.5/ 8" - G NPT1"	20-16 F6XMS	
D UN1.5/ 8" - G NPT1.1/4"	20 F6XMS	
D UN1.7/ 8" - G NPT1.1/2"	24 F6XMS	



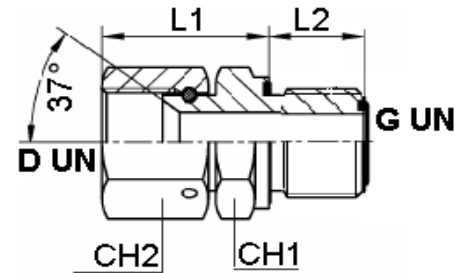
D UN/UNF - G R	F642EDMX	-
D UNF 7/16" - G R 1/8"	4 F642EDXMS	
D UNF 7/16" - G R 1/4"	4- 4 F642EDXMS	
D UNF 7/16" - G R 3/8"	4- 6 F642EDXMS	
D UNF 1/ 2" - G R 1/8"	5 F642EDXMS	
D UNF 1/ 2" - G R 1/4"	5- 4 F642EDXMS	
D UNF 1/ 2" - G R 3/8"	5- 6 F642EDXMS	
D UNF 9/16" - G R 1/4"	6 F642EDXMS	
D UNF 9/16" - G R 3/8"	6- 6 F642EDXMS	
D UNF 9/16" - G R 1/2"	6- 8 F642EDXMS	
D UNF 3/ 4" - G R 1/4"	8- 4 F642EDXMS	
D UNF 3/ 4" - G R 3/8"	8 F642EDXMS	
D UNF 3/ 4" - G R 1/2"	8- 8 F642EDXMS	



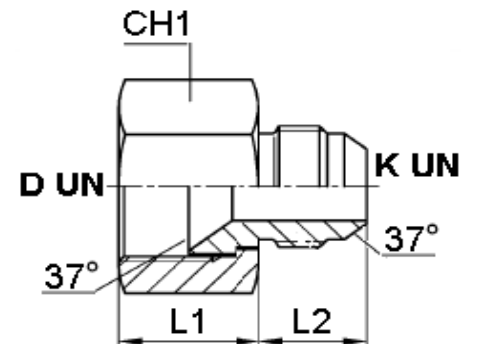
D UNF 7/ 8" - G R 3/8"	10- 6 F642EDXMS
D UNF 7/ 8" - G R 1/2"	10 F642EDXMS
D UNF 7/ 8" - G R 3/4"	10-12 F642EDXMS
D UN1.1/16" - G R 1/2"	12- 8 F642EDXMS
D UN1.1/16" - G R 3/4"	12 F642EDXMS
D UN1.1/16" - G R 1"	12-16 F642EDXMS
D UN1.5/16" - G R 3/4"	16-12 F642EDXMS
D UN1.5/16" - G R 1"	16 F642EDXMS
D UN1.5/16" - G R 1.1/4"	16-20 F642EDXMS
D UN1.5/ 8" - G R 1"	20-16 F642EDXMS
D UN1.5/ 8" - G R 1.1/4"	20 F642EDXMS
D UN1.7/ 8" - G R 1.1/4"	24-20 F642EDXMS
D UN1.7/ 8" - G R 1.1/2"	24 F642EDXMS



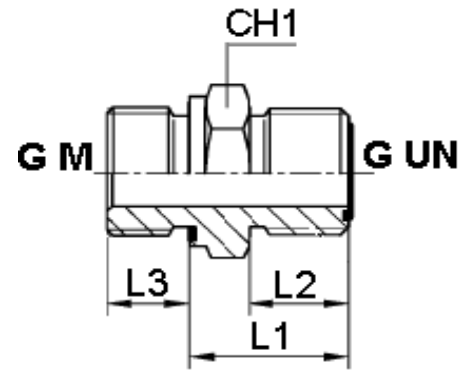
D UN/UNF - G UN/UNF/UNS	LOHMX6	-
D UNF 7/16" - G UNF 9/16"	4 LOHMX6	
D UNF 1/ 2" - G UN 11/16"	5 LOHMX6	
D UNF 9/16" - G UN 11/16"	6 LOHMX6	
D UNF 3/ 4" - G UN 13/16"	8 LOHMX6	
D UNF 7/ 8" - G UNS 1"	10 LOHMX6	
D UN1.1/16" - G UN 1. 3/16"	12 LOHMX6	
D UN1.5/16" - G UN 1. 7/16"	16 LOHMX6	
D UN1.5/ 8" - G UN 1.11/16"	20 LOHMX6	
D UN1.7/ 8" - G UN 2"	24 LOHMX6	



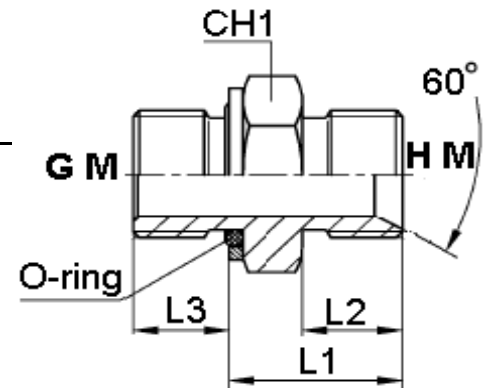
D UN/UNF - K UN/UNF	-	-
D UNF 1/ 2" - K UNF 7/16"		
D UNF 9/16" - K UNF 7/16"		
D UNF 9/16" - K UNF 1/ 2"		
D UNF 3/ 4" - K UNF 7/16"		
D UNF 3/ 4" - K UNF 1/ 2"		
D UNF 3/ 4" - K UNF 9/16"		
D UNF 7/ 8" - K UNF 7/16"		
D UNF 7/ 8" - K UNF 1/ 2"		
D UNF 7/ 8" - K UNF 9/16"		
D UNF 7/ 8" - K UNF 3/ 4"		
D UN1.1/16" - K UNF 7/16"		
D UN1.1/16" - K UNF 1/ 2"		
D UN1.1/16" - K UNF 9/16"		
D UN1.1/16" - K UNF 3/ 4"		
D UN1.5/16" - K UNF 7/16"		
D UN1.5/16" - K UNF 1/ 2"		
D UN1.5/16" - K UNF 9/16"		
D UN1.5/16" - K UNF 3/ 4"		
D UN1.5/16" - K UNF 7/ 8"		
D UN1.5/16" - K UN1.1/16"		
D UN1.5/ 8" - K UN 7/16"		
D UN1.5/ 8" - K UNF 1/ 2"		
D UN1.5/ 8" - K UNF 9/16"		
D UN1.5/ 8" - K UNF 3/ 4"		
D UN1.5/ 8" - K UNF 7/ 8"		
D UN1.5/ 8" - K UN1.1/16"		
D UN1.5/ 8" - K UN1.5/16"		
D UN1.7/ 8" - K UNF 7/16"		
D UN1.7/ 8" - K UNF 1/ 2"		
D UN1.7/ 8" - K UNF 9/16"		
D UN1.7/ 8" - K UNF 3/ 4"		
D UN1.7/ 8" - K UNF 7/ 8"		
D UN1.7/ 8" - K UN1.1/16"		
D UN1.7/ 8" - K UN1.5/16"		
D UN1.7/ 8" - K UN1.5/ 8"		



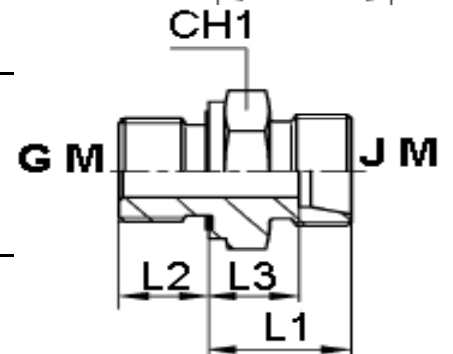
G M - G UN/UNE/UNS	F82EDMLO	-
G M10x1 - G UNF 9/16"	4 M10F82EDMLOS	
G M12x1,5 - G UNF 9/16"	4 M12F82EDMLOS	
G M12x1,5 - G UN 11/16"	6 M12F82EDMLOS	
G M14x1,5 - G UNF 9/16"	4 M14F82EDMLOS	
G M14x1,5 - G UN 11/16"	6 M14F82EDMLOS	
G M14x1,5 - G UN 13/16"	8 M14F82EDMLOS	
G M16x1,5 - G UN 11/16"	6 M16F82EDMLOS	
G M16x1,5 - G UN 13/16"	8 M16F82EDMLOS	
G M18x1,5 - G UN 11/16"	6 M18F82EDMLOS	
G M18x1,5 - G UN 13/16"	8 M18F82EDMLOS	
G M18x1,5 - G UNS1"	10 M18F82EDMLOS	
G M22x1,5 - G UN 13/16"	8 M22F82EDMLOS	
G M22x1,5 - G UNS1"	10 M22F82EDMLOS	
G M22x1,5 - G UN 1. 3/16"	12 M22F82EDMLOS	
G M27x2 - G UNS1"	10 M27F82EDMLOS	
G M27x2 - G UN 1. 3/16"	12 M27F82EDMLOS	
G M27x2 - G UN 1. 7/16"	16 M27F82EDMLOS	
G M33x2 - G UN 1. 3/16"	12 M33F82EDMLOS	
G M33x2 - G UN 1. 7/16"	16 M33F82EDMLOS	
G M33x2 - G UN 1.11/16"	20 M33F82EDMLOS	
G M42x2 - G UN 1. 7/16"	16 M42F82EDMLOS	
G M42x2 - G UN 1.11/16"	20 M42F82EDMLOS	
G M48x2 - G UN 1.11/16"	20 M48F82EDMLOS	
G M48x2 - G UN 2"	24 M48F82EDMLOS	



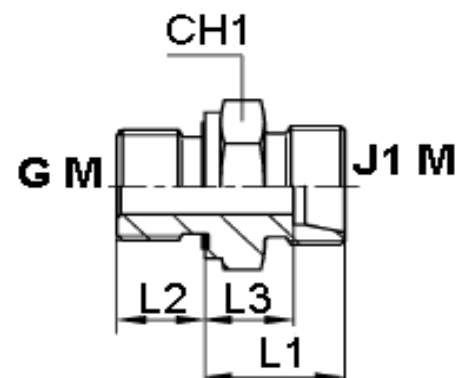
G M - H M	-	-
G M12x1,5 - H M12x1,5		
G M14x1,5 - H M14x1,5		
G M16x1,5 - H M16x1,5		
G M18x1,5 - H M18x1,5		
G M22x1,5 - H M22x1,5		
G M26x1,5 - H M26x1,5		
G M30x1,5 - H M30x1,5		



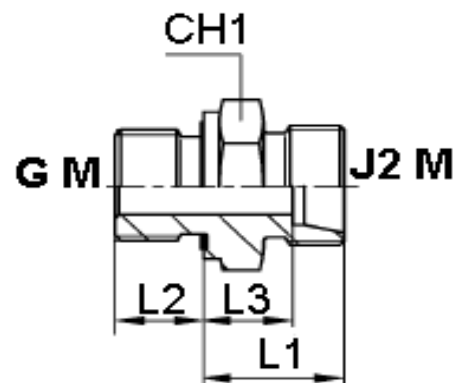
G M - J M	X GE - LLM - ED	sa O-ringom *
G M 8x1 - J M 8x1	X GE 4 - LLM - ED	
G M10x1 - J M10x1	X GE 6 - LLM - ED	
G M10x1 - J M12x1	X GE 8 - LLM - ED	



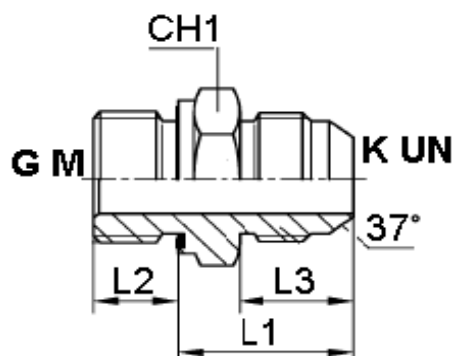
G M - J1 M	X GE - LM - ED	sa O-ringom *
G M10x1 - J1 M12x1,5	X GE 6 - LM - ED	
G M10x1 - J1 M14x1,5	X GE 8 - LM10x1 - ED	
G M12x1,5 - J1 M14x1,5	X GE 8 - LM - ED	
G M14x1,5 - J1 M16x1,5	X GE 10 - LM - ED	
G M14x1,5 - J1 M18x1,5	X GE 12 - LM14x1,5 - ED	
G M16x1,5 - J1 M16x1,5	X GE 10 - LM16x1,5 - ED	
G M16x1,5 - J1 M18x1,5	X GE 12 - LM - ED	
G M16x1,5 - J1 M22x1,5	X GE 15 - LM16x1,5 - ED	
G M18x1,5 - J1 M14x1,5	X GE 8 - LM18x1,5 - ED	
G M18x1,5 - J1 M16x1,5	X GE 10 - LM18x1,5 - ED	
G M18x1,5 - J1 M18x1,5	X GE 12 - LM18x1,5 - ED	
G M18x1,5 - J1 M22x1,5	X GE 15 - LM - ED	
G M18x1,5 - J1 M26x1,5	X GE 18 - LM18x1,5 - ED	
G M22x1,5 - J1 M16x1,5	X GE 10 - LM22x1,5 - ED	
G M22x1,5 - J1 M18x1,5	X GE 12 - LM22x1,5 - ED	
G M22x1,5 - J1 M22x1,5	X GE 15 - LM22x1,5 - ED	
G M22x1,5 - J1 M26x1,5	X GE 18 - LM - ED	
G M22x1,5 - J1 M30x2	X GE 22 - LM22x1,5 - ED	
G M26x1,5 - J1 M30x2	X GE 22 - LM - ED	
G M33x2 - J1 M36x2	X GE 28 - LM - ED	
G M42x2 - J1 M45x2	X GE 35 - LM - ED	
G M48x2 - J1 M52x2	X GE 42 - LM - ED	



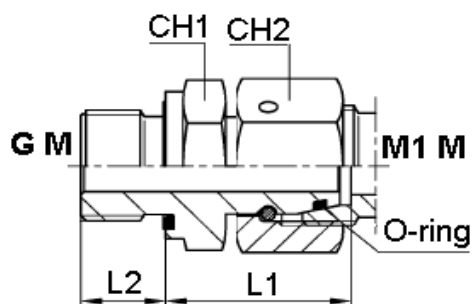
G M - J2 M	X GE - SM - ED	sa O-ringom *
G M12x1,5 - J2 M14x1,5	X GE 6 - SM - ED	
G M14x1,5 - J2 M16x1,5	X GE 8 - SM - ED	
G M16x1,5 - J2 M18x1,5	X GE 10 - SM - ED	
G M18x1,5 - J2 M20x1,5	X GE 12 - SM - ED	
G M18x1,5 - J2 M24x1,5	X GE 16 - SM18x1,5 - ED	
G M20x1,5 - J2 M22x1,5	X GE 14 - SM - ED	
G M22x1,5 - J2 M20x1,5	X GE 12 - SM22x1,5 - ED	
G M22x1,5 - J2 M24x1,5	X GE 16 - SM - ED	
G M22x1,5 - J2 M30x2	X GE 20 - SM22x1,5 - ED	
G M27x2 - J2 M30x2	X GE 20 - SM - ED	
G M27x2 - J2 M36x2	X GE 25 - SM27x2 - ED	
G M33x2 - J2 M36x2	X GE 25 - SM - ED	
G M33x2 - J2 M42x2	X GE 30 - SM33x2 - ED	
G M42x2 - J2 M42x2	X GE 30 - SM - ED	
G M48x2 - J2 M52x2	X GE 38 - SM - ED	



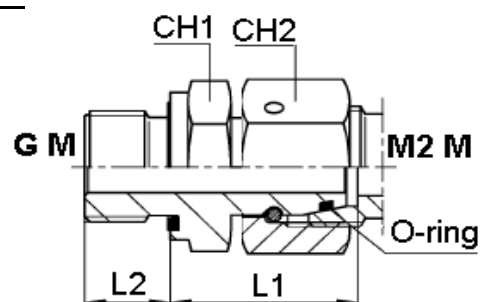
G M - K UN/UNF	F82EDMX	sa O-ringom *
G M10x1 - K UNF 7/16"	4-M10 F82EDMXS	
G M10x1 - K UNF 1/ 2"	5-M10 F82EDMXS	
G M12x1,5 - K UNF 7/16"	4-M12 F82EDMXS	
G M12x1,5 - K UNF 1/ 2"	5-M12 F82EDMXS	
G M14x1,5 - K UNF 1/ 2"	5-M14 F82EDMXS	
G M14x1,5 - K UNF 9/16"	6-M14 F82EDMXS	
G M14x1,5 - K UNF 3/ 4"	8-M14 F82EDMXS	
G M16x1,5 - K UNF 9/16"	6-M16 F82EDMXS	
G M16x1,5 - K UNF 3/ 4"	8-M16 F82EDMXS	
G M18x1,5 - K UNF 3/ 4"	8-M18 F82EDMXS	
G M18x1,5 - K UNF 7/ 8"	10-M18 F82EDMXS	
G M20x1,5 - K UNF 7/ 8"	10-M20 F82EDMXS	
G M22x1,5 - K UNF 7/ 8"	10-M22 F82EDMXS	
G M22x1,5 - K UN1.1/16"	12-M22 F82EDMXS	
G M27x2 - K UN1.1/16"	12-M27 F82EDMXS	
G M27x2 - K UN1.5/16"	16-M27 F82EDMXS	
G M33x2 - K UN1.5/16"	16-M33 F82EDMXS	
G M42x2 - K UN1.5/ 8"	20-M42 F82EDMXS	
G M48x2 - K UN1.7/ 8"	24-M48 F82EDMXS	



G M - M1 M	EGE - LM - ED	-
G M10x1 - M1 M12x1,5	EGE 6 - LM - ED	
G M12x1,5 - M1 M14x1,5	EGE 8 - LM - ED	
G M14x1,5 - M1 M16x1,5	EGE 10 - LM - ED	
G M16x1,5 - M1 M18x1,5	EGE 12 - LM - ED	
G M18x1,5 - M1 M22x1,5	EGE 15 - LM - ED	
G M22x1,5 - M1 M26x1,5	EGE 18 - LM - ED	
G M26x1,5 - M1 M30x2	EGE 22 - LM - ED	
G M30x2 - M1 M36x2	EGE 28 - LM - ED	
G M36x2 - M1 M45x2	EGE 35 - LM - ED	
G M48x2 - M1 M52x2	EGE 42 - LM - ED	

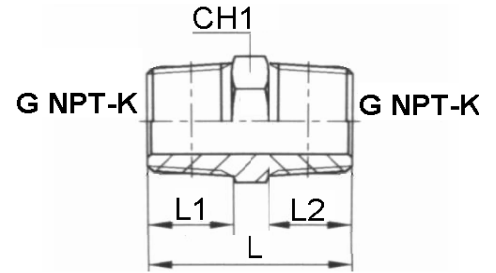


G M - M2 M	EGE - SM - ED	-
G M12x1,5 - M2 M14x1,5	EGE 6 - SM - ED	
G M14x1,5 - M2 M16x1,5	EGE 8 - SM - ED	
G M16x1,5 - M2 M18x1,5	EGE 10 - SM - ED	
G M18x1,5 - M2 M20x1,5	EGE 12 - SM - ED	
G M20x1,5 - M2 M22x1,5	EGE 14 - SM - ED	
G M22x1,5 - M2 M24x1,5	EGE 16 - SM - ED	
G M27x2 - M2 M30x2	EGE 20 - SM - ED	
G M33x2 - M2 M36x2	EGE 25 - SM - ED	
G M42x2 - M2 M42x2	EGE 30 - SM - ED	
G M48x2 - M2 M52x2	EGE 38 - SM - ED	



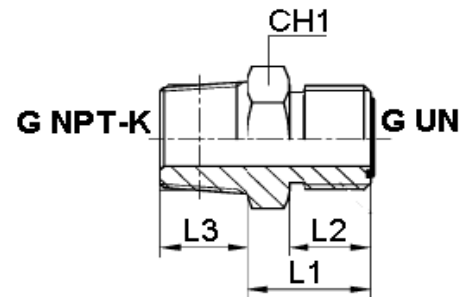
G NPT-K - G NPT-K

G NPT 1/8"K	-	G NPT 1/8"K
G NPT 1/8"K	-	G NPT 1/4"K
G NPT 1/8"K	-	G NPT 3/8"K
G NPT 1/4"K	-	G NPT 1/4"K
G NPT 1/4"K	-	G NPT 3/8"K
G NPT 1/4"K	-	G NPT 1/2"K
G NPT 1/4"K	-	G NPT 3/4"K
G NPT 3/8"K	-	G NPT 3/8"K
G NPT 3/8"K	-	G NPT 1/2"K
G NPT 1/2"K	-	G NPT 1/2"K
G NPT 1/2"K	-	G NPT 3/4"K
G NPT 3/4"K	-	G NPT 3/4"K
G NPT 3/4"K	-	G NPT1"K
G NPT1"K	-	G NPT1"K
G NPT1"K	-	G NPT1.1/4"K
G NPT1.1/4"K	-	G NPT1.1/4"K
G NPT1.1/2"K	-	G NPT1.1/2"K
G NPT2"K	-	G NPT2"K



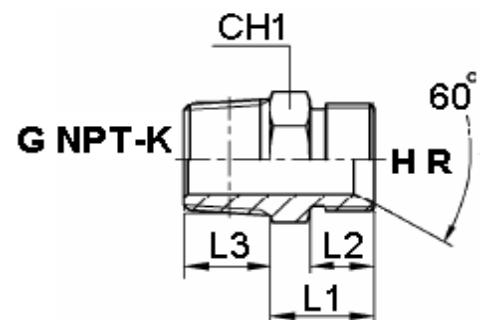
G NPT-K - G UN/UNF/UNS

G NPT-K - G UN/UNF/UNS		FLO	-
G NPT 1/8"K	-	G UNF 9/16"	4 FLOS
G NPT 1/4"K	-	G UNF 9/16"	4- 4 FLOS
G NPT 1/4"K	-	G UN 11/16"	6 FLOS
G NPT 1/4"K	-	G UN 13/16"	8- 4 FLOS
G NPT 3/8"K	-	G UNF 9/16"	4- 6 FLOS
G NPT 3/8"K	-	G UN 11/16"	6- 6 FLOS
G NPT 3/8"K	-	G UN 13/16"	8 FLOS
G NPT 3/8"K	-	G UNS1"	10- 6 FLOS
G NPT 1/2"K	-	G UN 11/16"	6- 8 FLOS
G NPT 1/2"K	-	G UN 13/16"	8- 8 FLOS
G NPT 1/2"K	-	G UNS1"	10 FLOS
G NPT 1/2"K	-	G UN 1. 3/16"	12- 8 FLOS
G NPT 3/4"K	-	G UN 13/16"	8-12 FLOS
G NPT 3/4"K	-	G UNS1"	10-12 FLOS
G NPT 3/4"K	-	G UN 1. 3/16"	12 FLOS
G NPT 3/4"K	-	G UN 1. 7/16"	16-12 FLOS
G NPT1"K	-	G UN 1. 3/16"	12-16 FLOS
G NPT1"K	-	G UN 1. 7/16"	16 FLOS
G NPT1"K	-	G UN 1.11/16"	20-12 FLOS
G NPT1.1/4"K	-	G UN 1.11/16"	20 FLOS
G NPT1.1/4"K	-	G UN 2"	24-20 FLOS
G NPT1.1/2"K	-	G UN 2"	24 FLOS



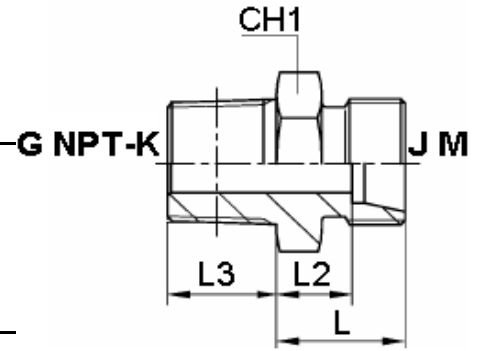
G NPT-K - HR

G NPT 1/8"K	-	HR 1/8"
G NPT 1/8"K	-	HR 1/4"
G NPT 1/4"K	-	HR 1/8"
G NPT 1/4"K	-	HR 1/4"
G NPT 1/4"K	-	HR 3/8"
G NPT 3/8"K	-	HR 1/4"
G NPT 3/8"K	-	HR 3/8"
G NPT 3/8"K	-	HR 1/2"
G NPT 1/2"K	-	HR 3/8"
G NPT 1/2"K	-	HR 1/2"
G NPT 1/2"K	-	HR 3/4"
G NPT 3/4"K	-	HR 1/2"
G NPT 3/4"K	-	HR 3/4"
G NPT 3/4"K	-	HR1"
G NPT1"K	-	HR 3/4"
G NPT1"K	-	HR1"
G NPT1.1/4"K	-	HR1"
G NPT1.1/4"K	-	HR1.1/4"

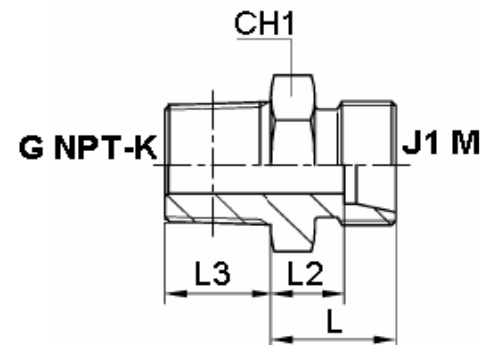


G NPT1.1/2"K - HR1.1/4"
 G NPT1.1/2"K - HR1.1/2"
 G NPT2"K - HR2"

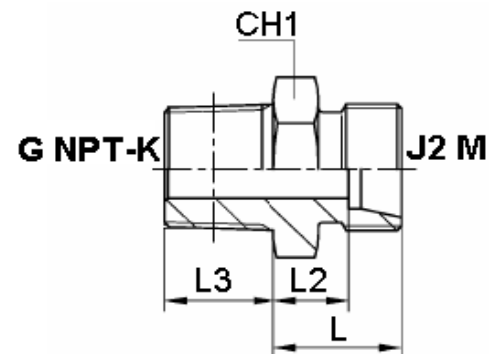
G NPT-K - J M	X GE - LL / NPT	-
G NPT1/8"K - J M 8x1	X GE 4 - LL / 1/8 NPT	
G NPT1/8"K - J M10x1	X GE 6 - LL / 1/8 NPT	
G NPT1/8"K - J M12x1	X GE 8 - LL / 1/8 NPT	



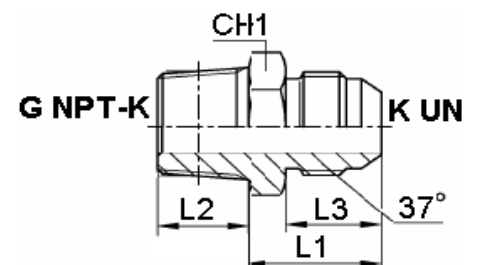
G NPT-K - J1 M	X GE - L / NPT	-
G NPT 1/8"K - J1 M12x1,5	X GE 6 - L / 1/8 NPT	
G NPT 1/8"K - J1 M14x1,5	X GE 8 - L / 1/8 NPT	
G NPT 1/8"K - J1 M16x1,5	X GE 10 - L / 1/8 NPT	
G NPT 1/4"K - J1 M12x1,5	X GE 6 - L / 1/4 NPT	
G NPT 1/4"K - J1 M14x1,5	X GE 8 - L / 1/4 NPT	
G NPT 1/4"K - J1 M16x1,5	X GE 10 - L / 1/4 NPT	
G NPT 1/4"K - J1 M18x1,5	X GE 12 - L / 1/4 NPT	
G NPT 3/8"K - J1 M14x1,5	X GE 8 - L / 3/8 NPT	
G NPT 3/8"K - J1 M16x1,5	X GE 10 - L / 3/8 NPT	
G NPT 3/8"K - J1 M18x1,5	X GE 12 - L / 3/8 NPT	
G NPT 3/8"K - J1 M22x1,5	X GE 15 - L / 3/8 NPT	
G NPT 1/2"K - J1 M14x1,5	X GE 8 - L / 1/2 NPT	
G NPT 1/2"K - J1 M16x1,5	X GE 10 - L / 1/2 NPT	
G NPT 1/2"K - J1 M18x1,5	X GE 12 - L / 1/2 NPT	
G NPT 1/2"K - J1 M22x1,5	X GE 15 - L / 1/2 NPT	
G NPT 1/2"K - J1 M26x1,5	X GE 18 - L / 1/2 NPT	
G NPT 3/4"K - J1 M26x1,5	X GE 18 - L / 3/4 NPT	
G NPT 3/4"K - J1 M30x2	X GE 22 - L / 3/4 NPT	
G NPT1"K - J1 M36x2	X GE 28 - L / 1 NPT	
G NPT1.1/4"K - J1 M45x2	X GE 35 - L / 1.1/4 NPT	
G NPT1.1/2"K - J1 M52x2	X GE 42 - L / 1.1/2 NPT	



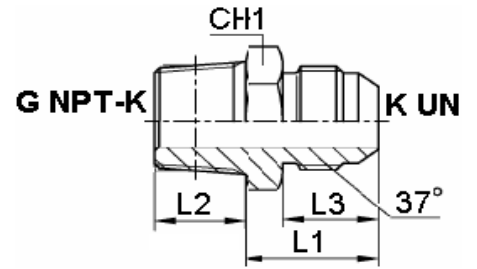
G NPT-K - J2 M	X GE - S / NPT	-
G NPT 1/4"K - J2 M14x1,5	X GE 6 - S / 1/4 NPT	
G NPT 1/4"K - J2 M16x1,5	X GE 8 - S / 1/4 NPT	
G NPT 3/8"K - J2 M18x1,5	X GE 10 - S / 3/8 NPT	
G NPT 3/8"K - J2 M20x1,5	X GE 12 - S / 3/8 NPT	
G NPT 3/8"K - J2 M22x1,5	X GE 14 - S / 3/8 NPT	
G NPT 3/8"K - J2 M24x1,5	X GE 16 - S / 3/8 NPT	
G NPT 1/2"K - J2 M20x1,5	X GE 12 - S / 1/2 NPT	
G NPT 1/2"K - J2 M22x1,5	X GE 14 - S / 1/2 NPT	
G NPT 1/2"K - J2 M24x1,5	X GE 16 - S / 1/2 NPT	
G NPT 1/2"K - J2 M30x2	X GE 20 - S / 1/2 NPT	
G NPT 3/4"K - J2 M30x2	X GE 20 - S / 3/4 NPT	
G NPT 3/4"K - J2 M36x2	X GE 25 - S / 3/4 NPT	
G NPT1"K - J2 M36x2	X GE 25 - S / 1 NPT	
G NPT1"K - J2 M42x2	X GE 30 - S / 1 NPT	
G NPT1.1/4"K - J2 M42x2	X GE 30 - S / 1.1/4 NPT	
G NPT1.1/2"K - J2 M52x2	X GE 38 - S / 1.1/2 NPT	



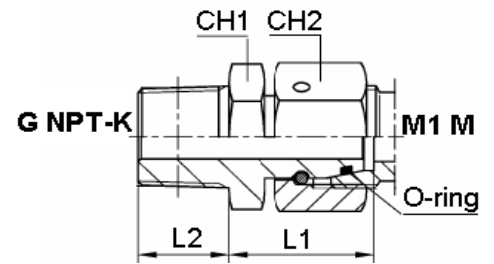
G NPT-K - K UN/UNF	FMTX	-
G NPT 1/8"K - K UNF 7/16"	4 FMTXS	
G NPT 1/8"K - K UNF 1/ 2"	5 FMTXS	
G NPT 1/8"K - K UNF 9/16"	6- 2 FMTXS	
G NPT 1/4"K - K UNF 7/16"	4- 4 FMTXS	
G NPT 1/4"K - K UNF 1/ 2"	5- 4 FMTXS	
G NPT 1/4"K - K UNF 9/16"	6 FMTXS	
G NPT 1/4"K - K UNF 3/ 4"	8- 4 FMTXS	
G NPT 3/8"K - K UNF 7/16"	4- 6 FMTXS	
G NPT 3/8"K - K UNF 9/16"	6- 6 FMTXS	
G NPT 3/8"K - K UNF 3/ 4"	8 FMTXS	
G NPT 3/8"K - K UNF 7/ 8"	10- 6 FMTXS	



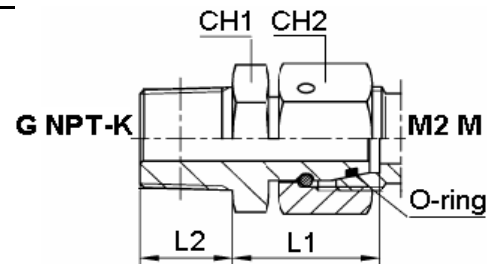
G NPT 1/2"K - K UNF 7/16"	4- 8 FMTXS
G NPT 1/2"K - K UNF 9/16"	6- 8 FMTXS
G NPT 1/2"K - K UNF 3/ 4"	8- 8 FMTXS
G NPT 1/2"K - K UNF 7/ 8"	10 FMTXS
G NPT 1/2"K - K UN1.1/16"	12- 8 FMTXS
G NPT 3/4"K - K UNF 3/ 4"	8-12 FMTXS
G NPT 3/4"K - K UNF 7/ 8"	10-12 FMTXS
G NPT 3/4"K - K UN1.1/16"	12 FMTXS
G NPT 3/4"K - K UN1.5/16"	16-12 FMTXS
G NPT1"K - K UN1.1/16"	12-16 FMTXS
G NPT1"K - K UN1.5/16"	16 FMTXS
G NPT1"K - K UN1.5/ 8"	20-16 FMTXS
G NPT1.1/4"K - K UN1.5/ 8"	20 FMTXS
G NPT1.1/4"K - K UN1.7/ 8"	24-20 FMTXS
G NPT1.1/2"K - K UN1.7/ 8"	24 FMTXS



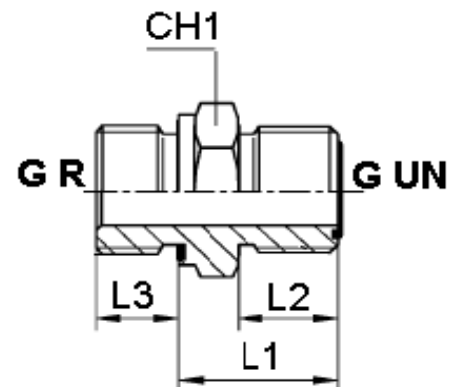
G NPT-K - M1 M	EGE - L / NPT	-
G NPT 1/8"K - M1 M12x1,5	EGE 6 - L / 1/8NPT	
G NPT 1/4"K - M1 M14x1,5	EGE 8 - L / 1/4NPT	
G NPT 1/4"K - M1 M16x1,5	EGE 10 - L / 1/4NPT	
G NPT 3/8"K - M1 M18x1,5	EGE 12 - L / 3/8NPT	
G NPT 1/2"K - M1 M22x1,5	EGE 15 - L / 1/2NPT	
G NPT 1/2"K - M1 M26x1,5	EGE 18 - L / 1/2NPT	
G NPT 3/4"K - M1 M30x2	EGE 22 - L / 3/4NPT	
G NPT1"K - M1 M36x2	EGE 28 - L / 1 NPT	
G NPT1.1/4"K - M1 M45x2	EGE 35 - L / 1.1/4NPT	
G NPT1.1/2"K - M1 M52x2	EGE 42 - L / 1.1/2NPT	



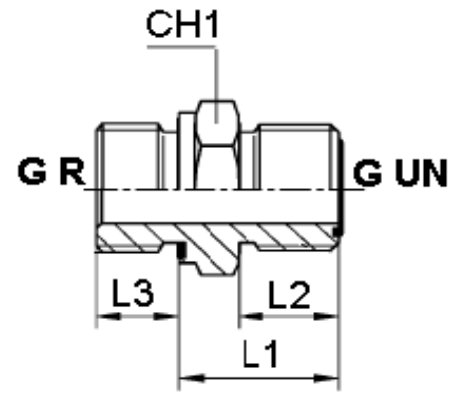
G NPT-K - M2 M	EGE - S / NPT	-
G NPT 1/4"K - M2 M14x1,5	EGE 6 - S / 1/4NPT	
G NPT 1/4"K - M2 M16x1,5	EGE 8 - S / 1/4NPT	
G NPT 3/8"K - M2 M18x1,5	EGE 10 - S / 3/8NPT	
G NPT 3/8"K - M2 M20x1,5	EGE 12 - S / 3/8NPT	
G NPT 1/2"K - M2 M22x1,5	EGE 14 - S / 1/2NPT	
G NPT 1/2"K - M2 M24x1,5	EGE 16 - S / 1/2NPT	
G NPT 3/4"K - M2 M30x2	EGE 20 - S / 3/4NPT	
G NPT1"K - M2 M36x2	EGE 25 - S / 1 NPT	
G NPT1.1/4"K - M2 M42x2	EGE 30 - S / 1.1/4NPT	
G NPT1.1/2"K - M2 M52x2	EGE 38 - S / 1.1/2NPT	



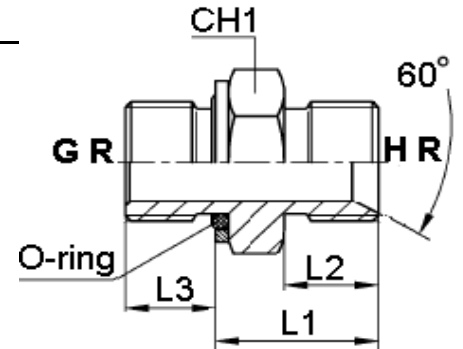
G R - G UN/UNF/UNS	F42EDMLO	-
G R 1/8" - G UNF 9/16"	4 F42EDMLOS	
G R 1/8" - G UN 11/16"	6- 2 F42EDMLOS	
G R 1/4" - G UNF 9/16"	4- 4 F42EDMLOS	
G R 1/4" - G UN 11/16"	6 F42EDMLOS	
G R 1/4" - G UN 13/16"	8- 4 F42EDMLOS	
G R 1/4" - G UNS1"	10- 4 F42EDMLOS	
G R 1/4" - G UN 1. 3/16"	12- 4 F42EDMLOS	
G R 1/4" - G UN 1. 7/16"	16- 4 F42EDMLOS	
G R 3/8" - G UNF 9/16"	4- 6 F42EDMLOS	
G R 3/8" - G UN 11/16"	6- 6 F42EDMLOS	
G R 3/8" - G UN 13/16"	8 F42EDMLOS	
G R 3/8" - G UNS1"	10- 6 F42EDMLOS	
G R 1/2" - G UNF 9/16"	4- 8 F42EDMLOS	
G R 1/2" - G UN 11/16"	6- 8 F42EDMLOS	
G R 1/2" - G UN 13/16"	8- 8 F42EDMLOS	
G R 1/2" - G UNS1"	10 F42EDMLOS	
G R 1/2" - G UN 1. 3/16"	12- 8 F42EDMLOS	
G R 3/4" - G UN 11/16"	6-12 F42EDMLOS	
G R 3/4" - G UN 13/16"	8-12 F42EDMLOS	
G R 3/4" - G UNS1"	10-12 F42EDMLOS	
G R 3/4" - G UN 1. 3/16"	12 F42EDMLOS	



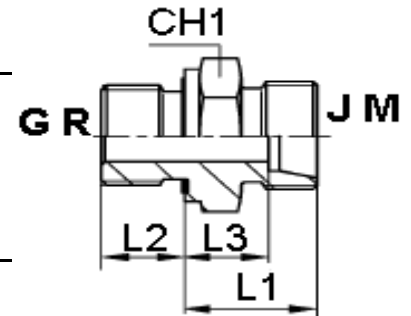
G R 3/4" - G UN 1. 7/16"	16-12 F42EDMLOS
G R1" - G UNS1"	10-16 F42EDMLOS
G R1" - G UN 1. 3/16"	12-16 F42EDMLOS
G R1" - G UN 1. 7/16"	16 F42EDMLOS
G R1" - G UN 1.11/16"	20-16 F42EDMLOS
G R1.1/4" - G UN 1. 3/16"	12-20 F42EDMLOS
G R1.1/4" - G UN 1. 7/16"	16-20 F42EDMLOS
G R1.1/4" - G UN 1.11/16"	20 F42EDMLOS
G R1.1/2" - G UN 1. 7/16"	16-24 F42EDMLOS
G R1.1/2" - G UN 1.11/16"	20-24 F42EDMLOS
G R1.1/2" - G UN 2"	24 F42EDMLOS



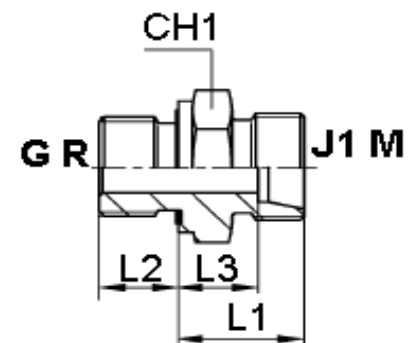
GR - HR		-	-
G R 1/8" - HR 1/8"			
G R 1/4" - HR 1/4"			
G R 3/8" - HR 3/8"			
G R 1/2" - HR 1/2"			
G R 5/8" - HR 1/2"			
G R 3/4" - HR 3/4"			
G R1" - HR1"			
G R1.1/4" - HR1.1/4"			
G R1.1/2" - HR1.1/2"			
G R2" - HR2"			



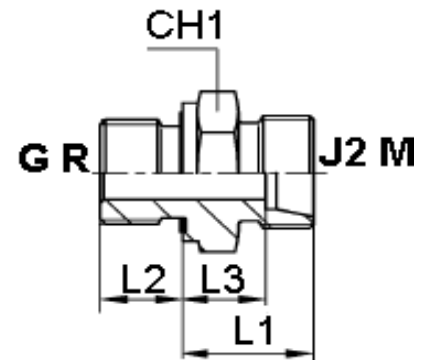
GR - JM		X GE - LLR - ED	sa O-ringom *
G R1/8" - JM 8x1		X GE 4 - LLR - ED	
G R1/8" - JM10x1		X GE 6 - LLR - ED	
G R1/8" - JM12x1		X GE 8 - LLR - ED	



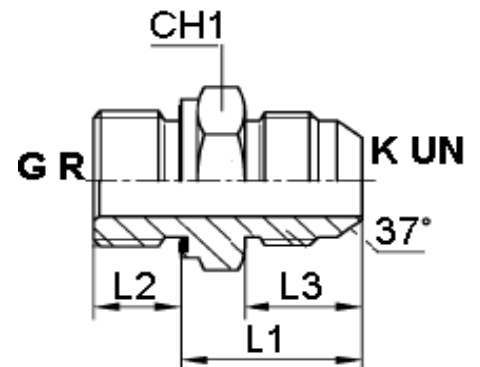
GR - J1 M		X GE - LR - ED	sa O-ringom *
G R 1/8" - J1 M12x1,5		X GE 6 - LR - ED	
G R 1/8" - J1 M14x1,5		X GE 8 - LR1/8 - ED	
G R 1/8" - J1 M16x1,5		X GE 10 - LR1/8 - ED	
G R 1/4" - J1 M12x1,5		X GE 6 - LR1/4 - ED	
G R 1/4" - J1 M14x1,5		X GE 8 - LR - ED	
G R 1/4" - J1 M16x1,5		X GE 10 - LR - ED	
G R 1/4" - J1 M18x1,5		X GE 12 - LR1/4 - ED	
G R 3/8" - J1 M12x1,5		X GE 6 - LR3/8 - ED	
G R 3/8" - J1 M14x1,5		X GE 8 - LR3/8 - ED	
G R 3/8" - J1 M16x1,5		X GE 10 - LR3/8 - ED	
G R 3/8" - J1 M18x1,5		X GE 12 - LR - ED	
G R 3/8" - J1 M22x1,5		X GE 15 - LR3/8 - ED	
G R 1/2" - J1 M14x1,5		X GE 8 - LR1/2 - ED	
G R 1/2" - J1 M16x1,5		X GE 10 - LR1/2 - ED	
G R 1/2" - J1 M18x1,5		X GE 12 - LR1/2 - ED	
G R 1/2" - J1 M22x1,5		X GE 15 - LR - ED	
G R 1/2" - J1 M26x1,5		X GE 18 - LR - ED	
G R 1/2" - J1 M30x2		X GE 22 - LR1/2 - ED	
G R 3/4" - J1 M22x1,5		X GE 15 - LR3/4 - ED	
G R 3/4" - J1 M26x1,5		X GE 18 - LR3/4 - ED	
G R 3/4" - J1 M30x2		X GE 22 - LR - ED	
G R 3/4" - J1 M36x2		X GE 28 - LR3/4 - ED	
G R1" - J1 M30x2		X GE 22 - LR1 - ED	
G R1" - J1 M36x2		X GE 28 - LR - ED	
G R1" - J1 M45x2		X GE 35 - LR1 - ED	
G R1.1/4" - J1 M45x2		X GE 35 - LR - ED	
G R1.1/4" - J1 M52x2		X GE 42 - LR1.1/4 - ED	
G R1.1/2" - J1 M52x2		X GE 42 - LR - ED	



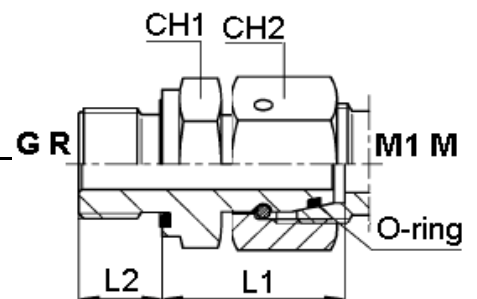
GR - J2 M	X GE - SR - ED	sa O-ringom *
GR 1/4" - J2 M14x1,5	X GE 6 - SR - ED	
GR 1/4" - J2 M16x1,5	X GE 8 - SR - ED	
GR 1/4" - J2 M18x1,5	X GE 10 - SR1/4 - ED	
GR 1/4" - J2 M20x1,5	X GE 12 - SR1/4 - ED	
GR 3/8" - J2 M16x1,5	X GE 8 - SR3/8 - ED	
GR 3/8" - J2 M18x1,5	X GE 10 - SR - ED	
GR 3/8" - J2 M20x1,5	X GE 12 - SR - ED	
GR 3/8" - J2 M22x1,5	X GE 14 - SR3/8 - ED	
GR 3/8" - J2 M24x1,5	X GE 16 - SR3/8 - ED	
GR 1/2" - J2 M18x1,5	X GE 10 - SR1/2 - ED	
GR 1/2" - J2 M20x1,5	X GE 12 - SR1/2 - ED	
GR 1/2" - J2 M22x1,5	X GE 14 - SR - ED	
GR 1/2" - J2 M24x1,5	X GE 16 - SR - ED	
GR 1/2" - J2 M30x2	X GE 20 - SR1/2 - ED	
GR 3/4" - J2 M24x1,5	X GE 16 - SR3/4 - ED	
GR 3/4" - J2 M30x2	X GE 20 - SR - ED	
GR 3/4" - J2 M36x2	X GE 25 - SR3/4 - ED	
GR 1" - J2 M30x2	X GE 20 - SR1 - ED	
GR 1" - J2 M36x2	X GE 25 - SR - ED	
GR 1" - J2 M42x2	X GE 30 - SR1 - ED	
GR 1.1/4" - J2 M42x2	X GE 30 - SR - ED	
GR 1.1/4" - J2 M52x2	X GE 38 - SR1.1/4 - ED	
GR 1.1/2" - J2 M52x2	X GE 38 - SR - ED	



GR - K UN/UNF	F42EDMX	sa O-ringom *
GR 1/8" - K UNF 7/16"	4 F42EDMXS	
GR 1/8" - K UNF 1/ 2"	5 F42EDMXS	
GR 1/8" - K UNF 9/16"	6- 2 F42EDMXS	
GR 1/4" - K UNF 7/16"	4- 4 F42EDMXS	
GR 1/4" - K UNF 1/ 2"	5- 4 F42EDMXS	
GR 1/4" - K UNF 9/16"	6 F42EDMXS	
GR 1/4" - K UNF 3/ 4"	8- 4 F42EDMXS	
GR 3/8" - K UNF 7/16"	4- 6 F42EDMXS	
GR 3/8" - K UNF 1/ 2"	5- 6 F42EDMXS	
GR 3/8" - K UNF 9/16"	6- 6 F42EDMXS	
GR 3/8" - K UNF 3/ 4"	8 F42EDMXS	
GR 3/8" - K UNF 7/ 8"	10- 6 F42EDMXS	
GR 3/8" - K UN1.1/16"	12- 6 F42EDMXS	
GR 1/2" - K UNF 7/16"	4- 8 F42EDMXS	
GR 1/2" - K UNF 9/16"	6- 8 F42EDMXS	
GR 1/2" - K UNF 3/ 4"	8- 8 F42EDMXS	
GR 1/2" - K UNF 7/ 8"	10 F42EDMXS	
GR 1/2" - K UN1.1/16"	12- 8 F42EDMXS	
GR 3/4" - K UNF 3/ 4"	8-12 F42EDMXS	
GR 3/4" - K UNF 7/ 8"	10-12 F42EDMXS	
GR 3/4" - K UN1.1/16"	12 F42EDMXS	
GR 3/4" - K UN1.5/16"	16-12 F42EDMXS	
GR 1" - K UN1.1/16"	12-16 F42EDMXS	
GR 1" - K UN1.5/16"	16 F42EDMXS	
GR 1" - K UN1.5/ 8"	20-16 F42EDMXS	
GR 1.1/4" - K UN1.5/16"	16-20 F42EDMXS	
GR 1.1/4" - K UN1.5/ 8"	20 F42EDMXS	
GR 1.1/4" - K UN1.7/ 8"	24-20 F42EDMXS	
GR 1.1/2" - K UN1.5/ 8"	20-24 F42EDMXS	
GR 1.1/2" - K UN1.7/ 8"	24 F42EDMXS	

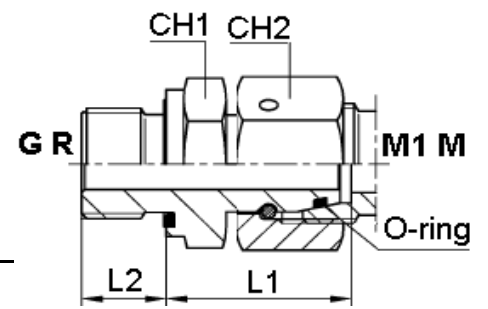


GR - M1 M	EGE - LR - ED	-
GR 1/8" - M1 M12x1,5	EGE 6 - LR - ED	
GR 1/4" - M1 M14x1,5	EGE 8 - LR - ED	
GR 1/4" - M1 M16x1,5	EGE 10 - LR - ED	
GR 3/8" - M1 M18x1,5	EGE 12 - LR - ED	
GR 1/2" - M1 M22x1,5	EGE 15 - LR - ED	



GR 1/2" - M1 M26x1,5
 GR 3/4" - M1 M30x2
 GR 1" - M1 M36x2
 GR 1.1/4" - M1 M45x2
 GR 1.1/2" - M1 M52x2

EGE 18 - LR - ED
 EGE 22 - LR - ED
 EGE 28 - LR - ED
 EGE 35 - LR - ED
 EGE 42 - LR - ED

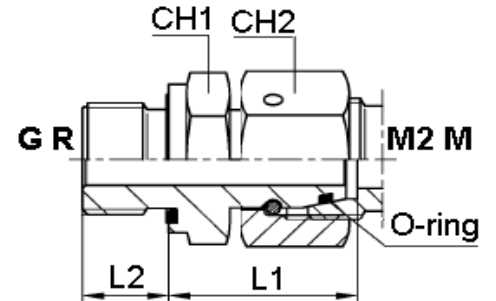


GR - M2 M

GR 1/4" - M2 M14x1,5
 GR 1/4" - M2 M16x1,5
 GR 3/8" - M2 M18x1,5
 GR 3/8" - M2 M20x1,5
 GR 1/2" - M2 M22x1,5
 GR 1/2" - M2 M24x1,5
 GR 3/4" - M2 M30x2
 GR 1" - M2 M36x2
 GR 1.1/4" - M2 M42x2
 GR 1.1/2" - M2 M52x2

EGE - SR - ED

EGE 6 - SR - ED
 EGE 8 - SR - ED
 EGE 10 - SR - ED
 EGE 12 - SR - ED
 EGE 14 - SR - ED
 EGE 16 - SR - ED
 EGE 20 - SR - ED
 EGE 25 - SR - ED
 EGE 30 - SR - ED
 EGE 38 - SR - ED

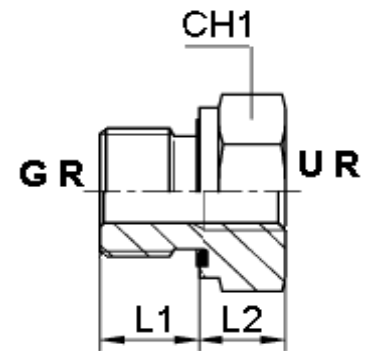


GR - UR

GR 1/8" - UR 1/4"
 GR 1/8" - UR 3/8"
 GR 1/4" - UR 1/8"
 GR 1/4" - UR 3/8"
 GR 1/4" - UR 1/2"
 GR 1/4" - UR 3/4"
 GR 3/8" - UR 1/8"
 GR 3/8" - UR 1/4"
 GR 3/8" - UR 1/2"
 GR 3/8" - UR 3/4"
 GR 1/2" - UR 1/8"
 GR 1/2" - UR 1/4"
 GR 1/2" - UR 3/8"
 GR 1/2" - UR 3/4"
 GR 1/2" - UR 1"
 GR 1/2" - UR 1.1/4"
 GR 3/4" - UR 1/4"
 GR 3/4" - UR 3/8"
 GR 3/4" - UR 1/2"
 GR 3/4" - UR 1"
 GR 3/4" - UR 1.1/4"
 GR 3/4" - UR 1.1/2"
 GR 1" - UR 1/4"
 GR 1" - UR 3/8"
 GR 1" - UR 1/2"
 GR 1" - UR 3/4"
 GR 1" - UR 1.1/4"
 GR 1" - UR 1.1/2"
 GR 1.1/4" - UR 1/2"
 GR 1.1/4" - UR 3/4"
 GR 1.1/4" - UR 1"
 GR 1.1/4" - UR 1.1/2"
 GR 1.1/2" - UR 1/2"
 GR 1.1/2" - UR 3/4"
 GR 1.1/2" - UR 1"
 GR 1.1/2" - UR 1.1/4"

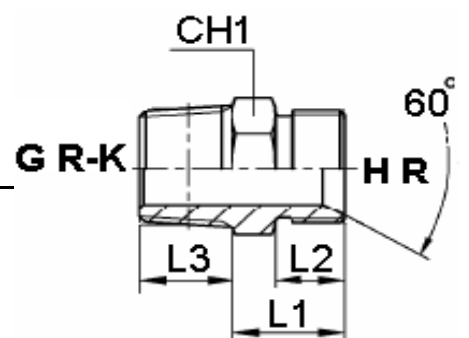
RI - ED

RI 1/8 - ED x 1/4
 RI 1/8 - ED x 3/8
 RI 1/4 - ED x 1/8
 RI 1/4 - ED x 3/8
 RI 1/4 - ED x 1/2
 RI 1/4 - ED x 3/4
 RI 3/8 - ED x 1/8
 RI 3/8 - ED x 1/4
 RI 3/8 - ED x 1/2
 RI 3/8 - ED x 3/4
 RI 1/2 - ED x 1/8
 RI 1/2 - ED x 1/4
 RI 1/2 - ED x 3/8
 RI 1/2 - ED x 3/4
 RI 1/2 - ED x 1
 RI 1/2 - ED x 1.1/4
 RI 3/4 - ED x 1/4
 RI 3/4 - ED x 3/8
 RI 3/4 - ED x 1/2
 RI 3/4 - ED x 1
 RI 3/4 - ED x 1.1/4
 RI 3/4 - ED x 1.1/2
 RI 1 - ED x 1/4
 RI 1 - ED x 3/8
 RI 1 - ED x 1/2
 RI 1 - ED x 3/4
 RI 1 - ED x 1.1/4
 RI 1 - ED x 1.1/2
 RI 1.1/4 - ED x 1/2
 RI 1.1/4 - ED x 3/4
 RI 1.1/4 - ED x 1
 RI 1.1/4 - ED x 1.1/2
 RI 1.1/2 - ED x 1/2
 RI 1.1/2 - ED x 3/4
 RI 1.1/2 - ED x 1
 RI 1.1/2 - ED x 1.1/4

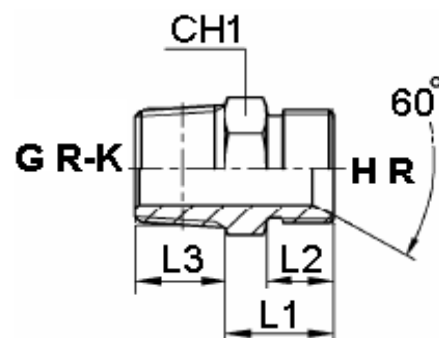


GR-K - HR

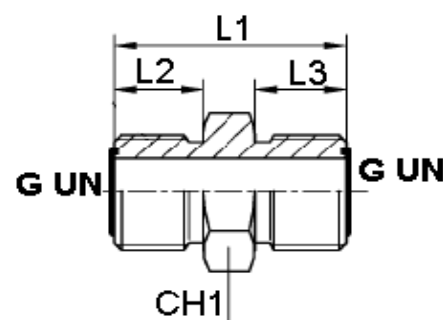
GR-K 1/8" - HR 1/8"
 GR-K 1/8" - HR 1/4"
 GR-K 1/4" - HR 1/8"
 GR-K 1/4" - HR 1/4"
 GR-K 1/4" - HR 3/8"



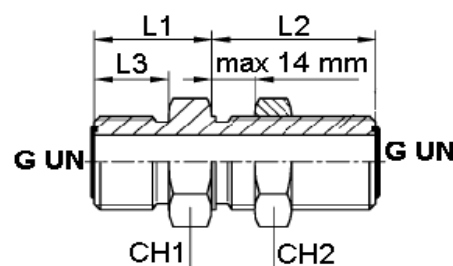
G R-K 3/8" - HR 1/4"
 G R-K 3/8" - HR 3/8"
 G R-K 3/8" - HR 1/2"
 G R-K 1/2" - HR 3/8"
 G R-K 1/2" - HR 1/2"
 G R-K 1/2" - HR 3/4"
 G R-K 3/4" - HR 1/2"
 G R-K 3/4" - HR 3/4"
 G R-K 3/4" - HR1"
 G R-K1" - HR 3/4"
 G R-K1" - HR1"
 G R-K1.1/4" - HR1"
 G R-K1.1/4" - HR1.1/4"
 G R-K1.1/2" - HR1.1/4"
 G R-K1.1/2" - HR1.1/2"
 G R-K2" - HR2"



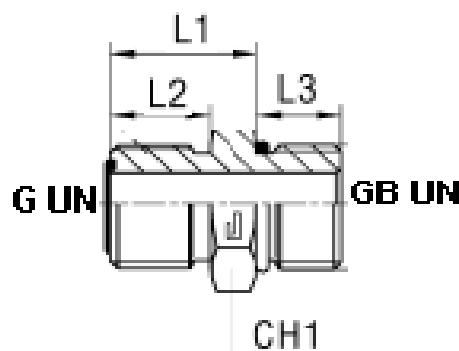
G UN/UNF/UNS - G UN/UNF/UNS	HMLO	-
G UNF 9/16" - G UNF 9/16"	4	HMLOS
G UNF 9/16" - G UN 11/16"	6-	4 HMLOS
G UN 11/16" - G UN 11/16"	6	HMLOS
G UN 11/16" - G UN 13/16"	8-	6 HMLOS
G UN 11/16" - G UN 1. 3/16"	12-	6 HMLOS
G UN 13/16" - G UN 13/16"	8	HMLOS
G UN 13/16" - G UNS1"	10-	8 HMLOS
G UN 13/16" - G UN 1. 3/16"	12-	8 HMLOS
G UNS1" - G UNS1"	10	HMLOS
G UNS1" - G UN 1. 3/16"	12-10	HMLOS
G UN 1. 3/16" - G UN 1. 3/16"	12	HMLOS
G UN 1. 3/16" - G UN 1. 7/16"	16-12	HMLOS
G UN 1. 7/16" - G UN 1. 7/16"	16	HMLOS
G UN 1. 7/16" - G UN 1.11/16"	20-16	HMLOS
G UN 1.11/16" - G UN 1.11/16"	20	HMLOS
G UN 2" - G UN 2"	24	HMLOS



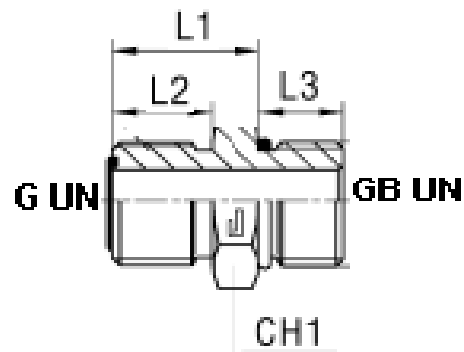
G UN/UNF/UNS - G UN/UNF/UNS p	WMLO	produženi navoj
G UNF 9/16" - G UNF 9/16" p	4	WMLOS
G UN 11/16" - G UN 11/16" p	6	WMLOS
G UN 13/16" - G UN 13/16" p	8	WMLOS
G UNS1" - G UNS1" p	10	WMLOS
G UN 1. 3/16" - G UN 1. 3/16" p	12	WMLOS
G UN 1. 7/16" - G UN 1. 7/16" p	16	WMLOS
G UN 1.11/16" - G UN 1.11/16" p	20	WMLOS
G UN 2" - G UN 2" p	24	WMLOS



G UN/UNF/UNS - GB UN/UNF	F50MLO	-
G UNF 9/16" - GB UNF 7/16"	4	F50MLOS
G UNF 9/16" - GB UNF 1/ 2"	4- 5	F50MLOS
G UNF 9/16" - GB UNF 9/16"	4- 6	F50MLOS
G UNF 9/16" - GB UNF 3/ 4"	4- 8	F50MLOS
G UN 11/16" - GB UNF 7/16"	6- 4	F50MLOS
G UN 11/16" - GB UNF 1/ 2"	6- 5	F50MLOS
G UN 11/16" - GB UNF 9/16"	6	F50MLOS
G UN 11/16" - GB UNF 3/ 4"	6- 8	F50MLOS
G UN 11/16" - GB UNF 7/ 8"	6-10	F50MLOS
G UN 11/16" - GB UN1.1/16"		
G UN 13/16" - GB UNF 9/16"	8- 6	F50MLOS
G UN 13/16" - GB UNF 3/ 4"	8	F50MLOS
G UN 13/16" - GB UNF 7/ 8"	8-10	F50MLOS
G UN 13/16" - GB UN1.1/16"	8-12	F50MLOS
G UN 13/16" - GB UN1.5/16"	8-16	F50MLOS
G UNS1" - GB UNF 3/ 4"	10- 8	F50MLOS

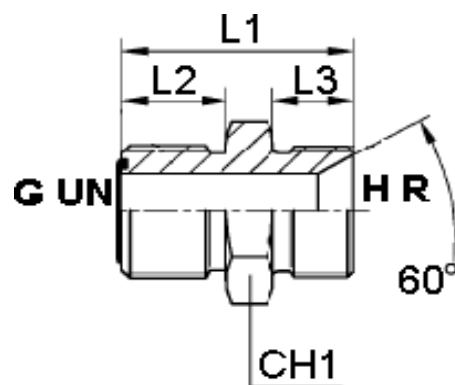


G UNS1"	- GB UNF 7/ 8"	10 F50MLOS
G UNS1"	- GB UN1.1/16"	10-12 F50MLOS
G UN 1. 3/16"	- GB UNF 3/ 4"	12- 8 F50MLOS
G UN 1. 3/16"	- GB UNF 7/ 8"	12-10 F50MLOS
G UN 1. 3/16"	- GB UN1.1/16"	12 F50MLOS
G UN 1. 3/16"	- GB UN1.5/16"	12-16 F50MLOS
G UN 1. 7/16"	- GB UN1.1/16"	16-12 F50MLOS
G UN 1. 7/16"	- GB UN1.5/16"	16 F50MLOS
G UN 1. 7/16"	- GB UN1.5/ 8"	16-20 F50MLOS
G UN 1.11/16"	- GB UN1.5/16"	20-16 F50MLOS
G UN 1.11/16"	- GB UN1.5/ 8"	20 F50MLOS
G UN 1.11/16"	- GB UN1.7/ 8"	20-24 F50MLOS
G UN 2"	- GB UN1.5/ 8"	24-20 F50MLOS
G UN 2"	- GB UN1.7/ 8"	24 F50MLOS



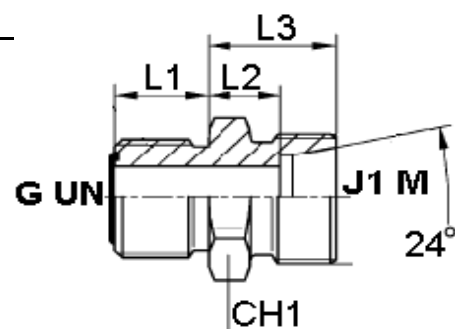
G UN/UNF/UNS - H R

G UNF 9/16"	- H R 1/8"
G UNF 9/16"	- H R 1/4"
G UNF 9/16"	- H R 3/8"
G UN 11/16"	- H R 1/4"
G UN 11/16"	- H R 3/8"
G UN 11/16"	- H R 1/2"
G UN 13/16"	- H R 1/4"
G UN 13/16"	- H R 3/8"
G UN 13/16"	- H R 1/2"
G UN 13/16"	- H R 3/4"
G UNS1"	- H R 3/8"
G UNS1"	- H R 1/2"
G UNS1"	- H R 5/8"
G UNS1"	- H R 3/4"
G UN 1. 3/16"	- H R 1/2"
G UN 1. 3/16"	- H R 3/4"
G UN 1. 3/16"	- H R 1"
G UN 1. 7/16"	- H R 3/4"
G UN 1. 7/16"	- H R 1"
G UN 1. 7/16"	- H R 1.1/4"
G UN 1.11/16"	- H R 1.1/4"
G UN 2"	- H R 1.1/2"



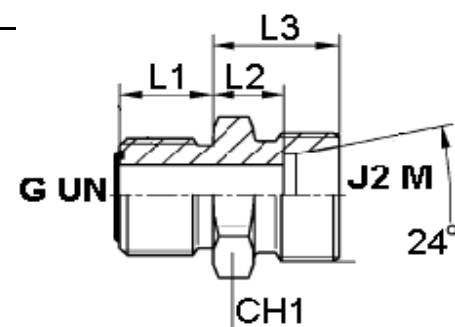
G UN/UNF/UNS - J1 M

G UNF 9/16"	- J1 M12x1,5
G UNF 9/16"	- J1 M14x1,5
G UN 11/16"	- J1 M16x1,5
G UN 13/16"	- J1 M18x1,5
G UNS1"	- J1 M22x1,5
G UN 1. 3/16"	- J1 M26x1,5
G UN 1. 7/16"	- J1 M30x2
G UN 1.11/16"	- J1 M36x2
G UN 2"	- J1 M45x2
G UN 2"	- J1 M52x2

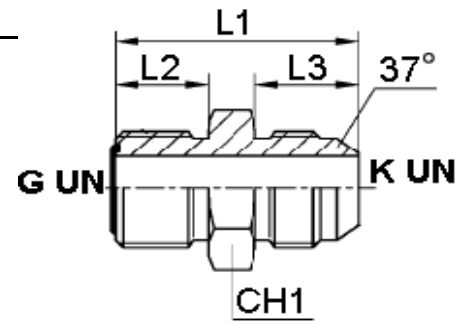


G UN/UNF/UNS - J2 M

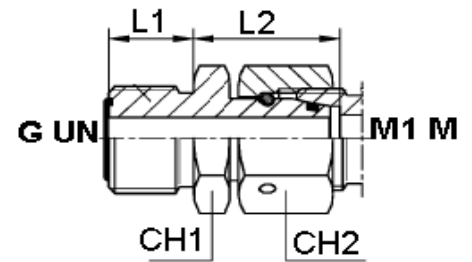
G UNF 9/16"	- J2 M14x1,5
G UNF 9/16"	- J2 M16x1,5
G UN 11/16"	- J2 M18x1,5
G UN 13/16"	- J2 M20x1,5
G UNS1"	- J2 M22x1,5
G UNS1"	- J2 M24x1,5
G UN 1. 3/16"	- J2 M30x2
G UN 1. 7/16"	- J2 M36x2
G UN 1.11/16"	- J2 M42x2
G UN 2"	- J2 M52x2



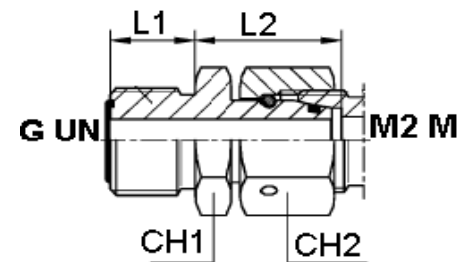
G UN/UNFUNS - K UN/UNF		XHMLO		-
G UNF 9/16"	- K UNF 7/16"	4	XHMLOS	
G UN 11/16"	- K UNF 1/ 2"	5	XHMLOS	
G UN 11/16"	- K UNF 9/16"	6	XHMLOS	
G UN 13/16"	- K UNF 3/ 4"	8	XHMLOS	
G UNS1"	- K UNF 7/ 8"	10	XHMLOS	
G UN 1. 3/16"	- K UN1.1/16"	12	XHMLOS	
G UN 1. 7/16"	- K UN1.5/16"	16	XHMLOS	
G UN 1.11/16"	- K UN1.5/ 8"	20	XHMLOS	
G UN 2"	- K UN1.7/ 8"	24	XHMLOS	



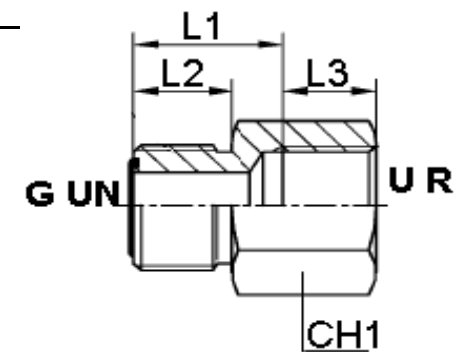
G UN/UNF/UNS - M1 M		LOHU86		-
G UNF 9/16"	- M1 M12x1,5	4-	6L LOHU86S	
G UNF 9/16"	- M1 M14x1,5	4-	8L LOHU86S	
G UN 11/16"	- M1 M16x1,5	6-	10L LOHU86S	
G UN 13/16"	- M1 M18x1,5	8-	12L LOHU86S	
G UNS1"	- M1 M22x1,5	10-	15L LOHU86S	
G UN 1. 3/16"	- M1 M26x1,5	12-	18L LOHU86S	
G UN 1. 7/16"	- M1 M30x2	16-	22L LOHU86S	
G UN 1.11/16"	- M1 M36x2	20-	28L LOHU86S	
G UN 2"	- M1 M45x2	24-	35L LOHU86S	
G UN 2"	- M1 M52x2	24-	42L LOHU86S	



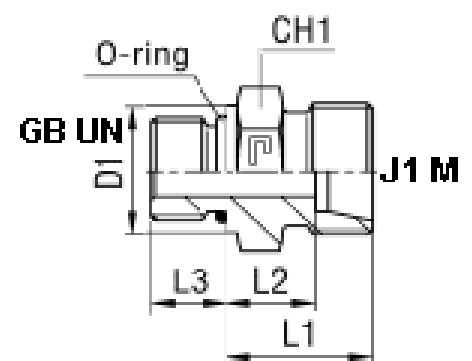
G UN/UNF/UNS - M2 M		LOHU86		-
G UNF 9/16"	- M2 M14x1,5	4-	6S LOHU86S	
G UNF 9/16"	- M2 M16x1,5	4-	8S LOHU86S	
G UN 11/16"	- M2 M18x1,5	6-	10S LOHU86S	
G UN 13/16"	- M2 M20x1,5	8-	12S LOHU86S	
G UNS1"	- M2 M22x1,5	10-	14S LOHU86S	
G UNS1"	- M2 M24x1,5	10-	16S LOHU86S	
G UN 1. 3/16"	- M2 M30x2	12-	20S LOHU86S	
G UN 1. 7/16"	- M2 M36x2	16-	25S LOHU86S	
G UN 1.11/16"	- M1 M42x2	20-	30S LOHU86S	
G UN 2"	- M2 M52x2	24-	38S LOHU86S	



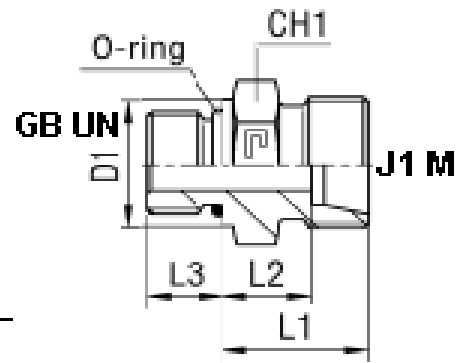
G UN/UNF/UNS - U R		-	-
G UNF 9/16"	- U R 1/4"		
G UN 11/16"	- U R 1/4"		
G UN 13/16"	- U R 1/4"		
G UN 13/16"	- U R 3/8"		
G UNS1"	- U R 1/2"		
G UN 1. 3/16"	- U R 1/2"		
G UN 1. 3/16"	- U R 3/4"		
G UN 1. 7/16"	- U R 1"		
G UN 1.11/16"	- U R 1.1/4"		
G UN 2"	- U R 1.1/2"		



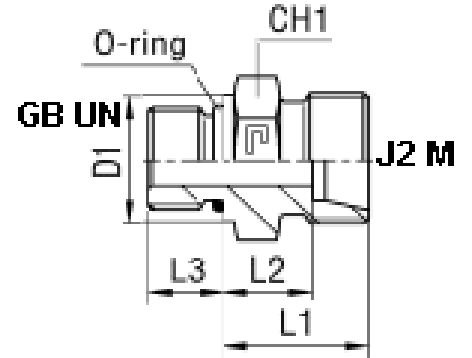
GB UN/UNF - J1 M		X GE - LUNF/UN - ED		-
GB UNF 7/16"	- J1 M12x1,5	X GE 6 -	L7/16UNF - ED	
GB UNF 7/16"	- J1 M14x1,5	X GE 8 -	L7/16UNF - ED	
GB UNF 7/16"	- J1 M16x1,5	X GE 10 -	L7/16UNF - ED	
GB UNF 1/ 2"	- J1 M14x1,5	X GE 8 -	L1/2UNF - ED	
GB UNF 1/ 2"	- J1 M16x1,5	X GE 10 -	L1/2UNF - ED	
GB UNF 9/16"	- J1 M18x1,5	X GE 12 -	L9/16UNF - ED	
GB UNF 3/ 4"	- J1 M18x1,5	X GE 12 -	L3/4UNF - ED	
GB UNF 3/ 4"	- J1 M22x1,5	X GE 15 -	L3/4UNF - ED	
GB UNF 3/ 4"	- J1 M26x1,5	X GE 18 -	L3/4UNF - ED	
GB UNF 7/ 8"	- J1 M18x1,5	X GE 12 -	L7/8UNF - ED	
GB UNF 7/ 8"	- J1 M22x1,5	X GE 15 -	L7/8UNF - ED	
GB UNF 7/ 8"	- J1 M26x1,5	X GE 18 -	L7/8UNF - ED	
GB UNF 7/ 8"	- J1 M30x2	X GE 22 -	L7/8UNF - ED	
GB UN1.1/16"	- J1 M30x2	X GE 22 -	L1.1/16UN - ED	



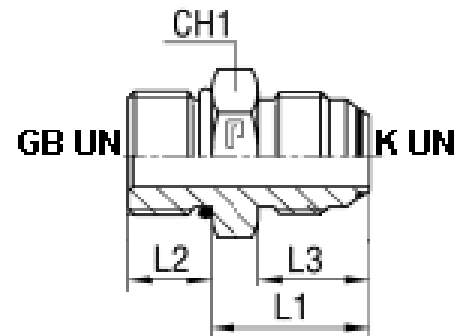
GB UN1.1/16" - J1 M36x2	X GE 28 - L1.1/16UN - ED
GB UN1.5/16" - J1 M30x2	X GE 22 - L1.5/16UN - ED
GB UN1.5/16" - J1 M36x2	X GE 28 - L1.5/16UN - ED
GB UN1.5/16" - J1 M45x2	X GE 35 - L1.5/16UN - ED
GB UN1.5/ 8" - J1 M45x2	X GE 35 - L1.5/8UN - ED
GB UN1.5/ 8" - J1 M52x2	X GE 42 - L1.5/8UN - ED
GB UN1.7/ 8" - J1 M52x2	X GE 42 - L1.7/8UN - ED



GB UN/UNF - J2 M	X GE - SUNF - ED	-
GB UNF 7/16" - J2 M16x1,5	X GE 8 - S7/16UNF - ED	
GB UNF 1/ 2" - J2 M14x1,5	X GE 6 - S1/2UNF - ED	
GB UNF 1/ 2" - J2 M16x1,5	X GE 8 - S1/2UNF - ED	
GB UNF 9/16" - J2 M18x1,5	X GE 10 - S9/16UNF - ED	
GB UNF 9/16" - J2 M20x1,5	X GE 12 - S9/16UNF - ED	
GB UNF 3/ 4" - J2 M20x1,5	X GE 12 - S3/4UNF - ED	
GB UNF 3/ 4" - J2 M22x1,5	X GE 14 - S3/4UNF - ED	
GB UNF 3/ 4" - J2 M24x1,5	X GE 16 - S3/4UNF - ED	
GB UNF 3/ 4" - J2 M30x2	X GE 20 - S3/4UNF - ED	
GB UNF 7/ 8" - J2 M24x1,5	X GE 16 - S7/8UNF - ED	
GB UNF 7/ 8" - J2 M30x2	X GE 20 - S7/8UNF - ED	
GB UN1.1/16" - J2 M30x2	X GE 20 - S1.1/16UN - ED	
GB UN1.1/16" - J2 M36x2	X GE 25 - S1.1/16UN - ED	
GB UN1.5/16" - J2 M36x2	X GE 25 - S1.5/16UN - ED	
GB UN1.5/16" - J2 M42x2	X GE 30 - S1.5/16UN - ED	
GB UN1.5/ 8" - J2 M42x2	X GE 30 - S1.5/8UN - ED	
GB UN1.5/ 8" - J2 M52x2	X GE 38 - S1.5/8UN - ED	
GB UN1.7/ 8" - J2 M52x2	X GE 38 - S1.7/8UN - ED	

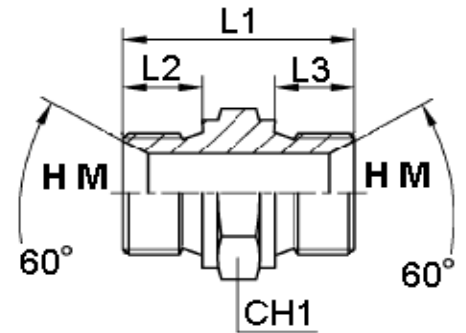


GB UN/UNF - K UN/UNF	F5OMX	-
GB UNF 7/16" - K UNF 7/16"	4 F5OMXS	
GB UNF 7/16" - K UNF 9/16"	6- 4 F5OMXS	
GB UNF 1/ 2" - K UNF 7/16"	4- 5 F5OMXS	
GB UNF 1/ 2" - K UNF 1/ 2"	5 F5OMXS	
GB UNF 1/ 2" - K UNF 9/16"	6- 5 F5OMXS	
GB UNF 9/16" - K UNF 7/16"	4- 6 F5OMXS	
GB UNF 9/16" - K UNF 1/ 2"	5- 6 F5OMXS	
GB UNF 9/16" - K UNF 9/16"	6 F5OMXS	
GB UNF 9/16" - K UNF 3/ 4"	8- 6 F5OMXS	
GB UNF 3/ 4" - K UNF 7/16"	4- 8 F5OMXS	
GB UNF 3/ 4" - K UNF 9/16"	6- 8 F5OMXS	
GB UNF 3/ 4" - K UNF 3/ 4"	8 F5OMXS	
GB UNF 3/ 4" - K UNF 7/ 8"	10- 8 F5OMXS	
GB UNF 3/ 4" - K UN1.1/16"	12- 8 F5OMXS	
GB UNF 7/ 8" - K UNF 9/16"	6-10 F5OMXS	
GB UNF 7/ 8" - K UNF 3/ 4"	8-10 F5OMXS	
GB UNF 7/ 8" - K UNF 7/ 8"	10 F5OMXS	
GB UNF 7/ 8" - K UN1.1/16"	12-10 F5OMXS	
GB UNF 7/ 8" - K UN1.5/16"	16-10 F5OMXS	
GB UNF.1/16" - K UNF 3/ 4"	8-12 F5OMXS	
GB UN.1/16" - K UNF 7/ 8"	10-12 F5OMXS	
GB UN1.1/16" - K UN1.1/16"	12 F5OMXS	
GB UN1.1/16" - K UN1.5/16"	16-12 F5OMXS	
GB UN1.5/16" - K UN1.1/16"	12-16 F5OMXS	
GB UN1.5/16" - K UN1.5/16"	16 F5OMXS	
GB UN1.5/16" - K UN1.5/ 8"	20-16 F5OMXS	
GB UN1.5/ 8" - K UN1.5/16"	16-20 F5OMXS	
GB UN1.5/ 8" - K UN1.5/ 8"	20 F5OMXS	
GB UN1.5/ 8" - K UN1.7/ 8"	24-20 F5OMXS	
GB UN1.7/ 8" - K UN1.5/ 8"	20-24 F5OMXS	
GB UN1.7/ 8" - K UN1.7/ 8"	24 F5OMXS	

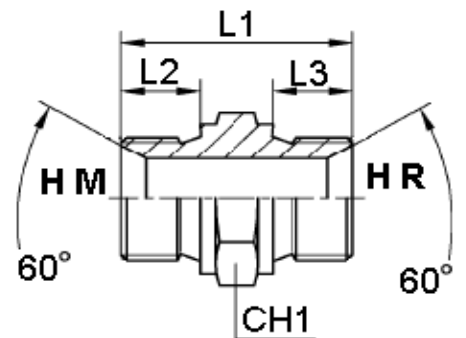


HM - HM

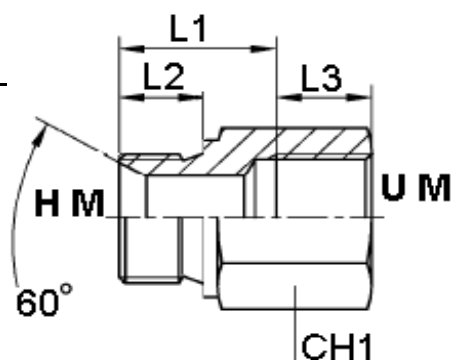
H M10x1	-	H M10x1
H M12x1,5	-	H M12x1,5
H M12x1,5	-	H M14x1,5
H M14x1,5	-	H M14x1,5
H M14x1,5	-	H M16x1,5
H M14x1,5	-	H M18x1,5
H M14x1,5	-	H M22x1,5
H M16x1,5	-	H M16x1,5
H M16x1,5	-	H M18x1,5
H M16x1,5	-	H M22x1,5
H M18x1,5	-	H M18x1,5
H M22x1,5	-	H M22x1,5
H M22x1,5	-	H M26x1,5
H M26x1,5	-	H M26x1,5
H M26x1,5	-	H M30x1,5
H M30x1,5	-	H M30x1,5
H M30x1,5	-	H M38x1,5
H M38x1,5	-	H M38x1,5
H M38x1,5	-	H M45x1,5
H M45x1,5	-	H M45x1,5

**HM - HR**

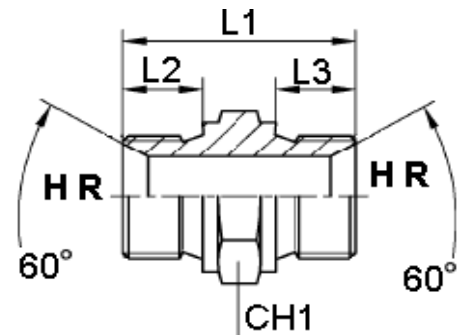
H M10x1	-	HR 1/8"
H M10x1	-	HR 1/4"
H M10x1	-	HR 3/8"
H M12x1,5	-	HR 1/4"
H M12x1,5	-	HR 3/8"
H M14x1,5	-	HR 1/8"
H M14x1,5	-	HR 1/4"
H M14x1,5	-	HR 3/8"
H M14x1,5	-	HR 1/2"
H M16x1,5	-	HR 3/8"
H M16x1,5	-	HR 1/2"
H M18x1,5	-	HR 3/8"
H M18x1,5	-	HR 1/2"
H M18x1,5	-	HR 5/8"
H M18x1,5	-	HR 3/4"
H M22x1,5	-	HR 3/8"
H M22x1,5	-	HR 1/2"
H M22x1,5	-	HR 5/8"
H M22x1,5	-	HR 3/4"
H M26x1,5	-	HR 3/4"
H M26x1,5	-	HR1"
H M30x1,5	-	HR 3/4"
H M30x1,5	-	HR1"
H M30x1,5	-	HR1.1/4"
H M38x1,5	-	HR1"
H M38x1,5	-	HR1.1/4"
H M38x1,5	-	HR1.1/2"
H M45x1,5	-	HR1.1/2"
H M45x1,5	-	HR2"

**HM - UM**

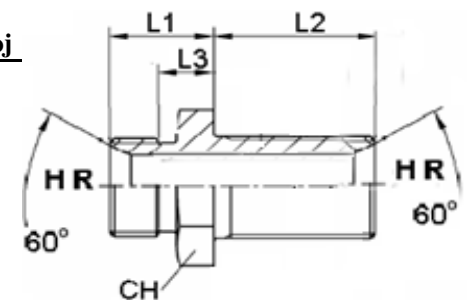
H M10x1	-	U M10x1
H M12x1,5	-	U M12x1,5
H M14x1,5	-	U M14x1,5
H M16x1,5	-	U M16x1,5
H M18x1,5	-	U M18x1,5
H M22x1,5	-	U M22x1,5
H M26x1,5	-	U M26x1,5
H M30x1,5	-	U M30x1,5



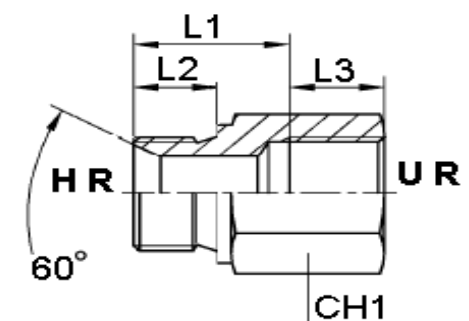
HR - HR	-	-
HR 1/8" - HR 1/8"		
HR 1/8" - HR 1/4"		
HR 1/8" - HR 3/8"		
HR 1/8" - HR 1/2"		
HR 1/4" - HR 1/4"		
HR 1/4" - HR 3/8"		
HR 1/4" - HR 1/2"		
HR 1/4" - HR 5/8"		
HR 1/4" - HR 3/4"		
HR 1/4" - HR1"		
HR 3/8" - HR 3/8"		
HR 3/8" - HR 1/2"		
HR 3/8" - HR 5/8"		
HR 3/8" - HR 3/4"		
HR 3/8" - HR1"		
HR 1/2" - HR 1/2"		
HR 1/2" - HR 5/8"		
HR 1/2" - HR 3/4"		
HR 1/2" - HR1"		
HR 1/2" - HR1.1/4"		
HR 1/2" - HR1.1/2"		
HR 5/8" - HR 5/8"		
HR 5/8" - HR 3/4"		
HR 5/8" - HR1"		
HR 5/8" - HR1.1/4"		
HR 3/4" - HR 3/4"		
HR 3/4" - HR1"		
HR 3/4" - HR1.1/4"		
HR 3/4" - HR1.1/2"		
HR1" - HR1"		
HR1" - HR1.1/4"		
HR1" - HR1.1/2"		
HR1" - HR2"		
HR1.1/4" - HR1.1/4"		
HR1.1/4" - HR1.1/2"		
HR1.1/4" - HR2"		
HR1.1/2" - HR1.1/2"		
HR1.1/2" - HR2"		
HR2" - HR2"		



HR - HR p	-	prodluzeni navoj
HR 1/4" - HR 1/4" p		
HR 3/8" - HR 3/8" p		
HR 1/2" - HR 1/2" p		
HR 5/8" - HR 5/8" p		
HR 3/4" - HR 3/4" p		
HR1" - HR1" p		
HR1.1/4" - HR1.1/4" p		
HR1.1/2" - HR1.1/2" p		



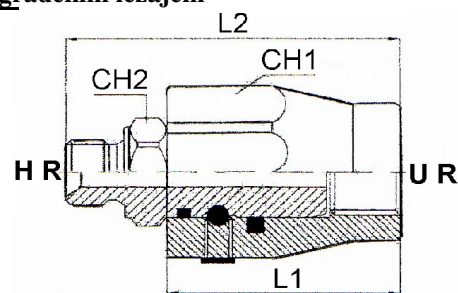
HR - UR	-	-
HR 1/8" - UR 1/8"		
HR 1/4" - UR 1/4"		
HR 3/8" - UR 1/4"		
HR 3/8" - UR 3/8"		
HR 1/2" - UR 1/4"		
HR 1/2" - UR 3/8"		
HR 1/2" - UR 1/2"		
HR 3/4" - UR 3/8"		
HR 3/4" - UR 1/2"		
HR 3/4" - UR 3/4"		
HR1" - UR 1/4"		



HR1" - UR 3/8"
 HR1" - UR 1/2"
 HR1" - UR 3/4"
 HR1" - UR1"

HR okr - UR	-	okretni nipel s ugrađenim ležajem
--------------------	---	--

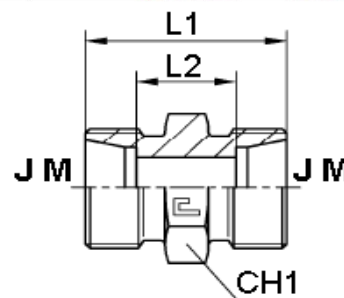
HR 1/4" okr - UR 1/4"
 HR 3/8" okr - UR 3/8"
 HR 1/2" okr - UR 1/2"
 HR 3/4" okr - UR 3/4"
 HR1" okr - UR1"
 HR1.1/4" okr - UR1.1/4"
 HR1.1/2" okr - UR1.1/2"
 HR2" okr - UR2"



JM - JM	XG / XGR - LL	-
----------------	----------------------	---

JM 8x1 - JM 8x1
 JM 8x1 - JM10x1
 JM 8x1 - JM12x1
 JM10x1 - JM10x1
 JM10x1 - JM12x1
 JM12x1 - JM12x1
 JM14x1 - JM14x1
 JM16x1 - JM16x1

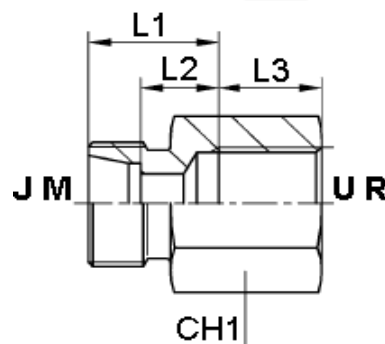
XG 4 - LL
 XGR 6/4 - LL
 XGR 8/4 - LL
 XG 6 - LL
 XGR 8/6 - LL
 XG 8 - LL
 XG 10 - LL
 XG 12 - LL



JM - UR	XMAV - LLR	-
----------------	-------------------	---

JM 8x1 - UR1/4"

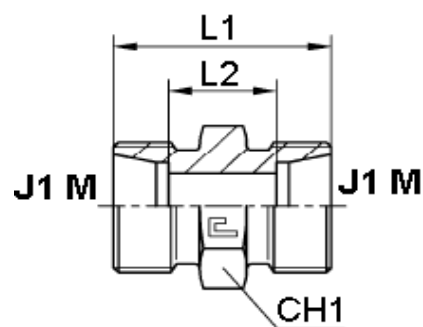
XMAV 4 - LLR



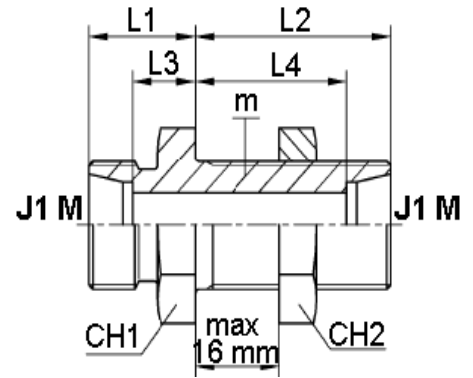
J1M - J1M	XG / XGR - L	-
------------------	---------------------	---

J1 M12x1,5 - J1 M12x1,5
 J1 M12x1,5 - J1 M14x1,5
 J1 M12x1,5 - J1 M16x1,5
 J1 M12x1,5 - J1 M18x1,5
 J1 M14x1,5 - J1 M14x1,5
 J1 M14x1,5 - J1 M16x1,5
 J1 M14x1,5 - J1 M18x1,5
 J1 M16x1,5 - J1 M16x1,5
 J1 M16x1,5 - J1 M18x1,5
 J1 M16x1,5 - J1 M22x1,5
 J1 M16x1,5 - J1 M26x1,5
 J1 M18x1,5 - J1 M18x1,5
 J1 M18x1,5 - J1 M22x1,5
 J1 M18x1,5 - J1 M26x1,5
 J1 M18x1,5 - J1 M30x2
 J1 M22x1,5 - J1 M22x1,5
 J1 M22x1,5 - J1 M26x1,5
 J1 M22x1,5 - J1 M30x2
 J1 M26x1,5 - J1 M26x1,5
 J1 M26x1,5 - J1 M30x2
 J1 M26x1,5 - J1 M36x2
 J1 M30x2 - J1 M30x2
 J1 M30x2 - J1 M36x2
 J1 M30x2 - J1 M45x2
 J1 M36x2 - J1 M36x2
 J1 M36x2 - J1 M45x2
 J1 M45x2 - J1 M45x2
 J1 M52x2 - J1 M52x2

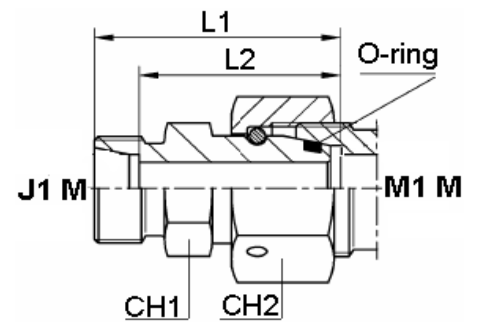
XG 6 - L
 XGR 8/ 6 - L
 XGR 10/ 6 - L
 XGR 12/ 6 - L
 XG 8 - L
 XGR 10/ 8 - L
 XGR 12/ 8 - L
 XG 10 - L
 XGR 12/10 - L
 XGR 15/10 - L
 XGR 18/10 - L
 XG 12 - L
 XGR 15/12 - L
 XGR 18/12 - L
 XGR 22/12 - L
 XG 15 - L
 XGR 18/15 - L
 XGR 22/15 - L
 XG 18 - L
 XGR 22/18 - L
 XGR 28/18 - L
 XG 22 - L
 XGR 28/22 - L
 XGR 35/22 - L
 XG 28 - L
 XGR 35/28 - L
 XG 35 - L
 XG 42 - L



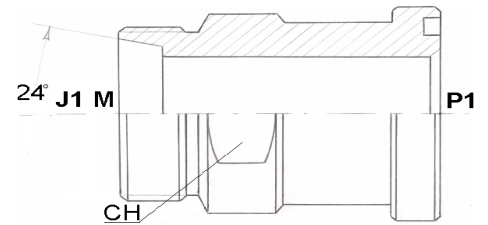
J1 M - J1 M p	X SV - L	prodluženi navoj
J1 M12x1,5 - J1 M12x1,5 p	X SV 6 - L	
J1 M14x1,5 - J1 M14x1,5 p	X SV 8 - L	
J1 M16x1,5 - J1 M16x1,5 p	X SV 10 - L	
J1 M18x1,5 - J1 M18x1,5 p	X SV 12 - L	
J1 M22x1,5 - J1 M22x1,5 p	X SV 15 - L	
J1 M26x1,5 - J1 M26x1,5 p	X SV 18 - L	
J1 M30x2 - J1 M30x2 p	X SV 22 - L	
J1 M36x2 - J1 M36x2 p	X SV 28 - L	
J1 M45x2 - J1 M45x2 p	X SV 35 - L	
J1 M52x2 - J1 M52x2 p	X SV 42 - L	



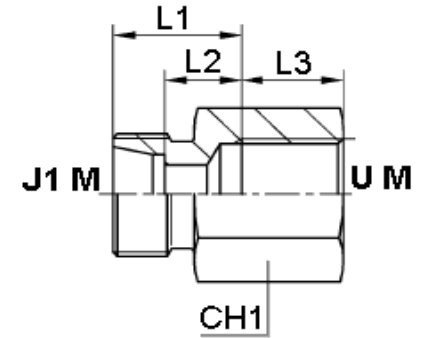
J1 M - M1 M	X RED - L	-
J1 M12x1,5 - M1 M14x1,5	X RED 8/ 6 - L	
J1 M12x1,5 - M1 M16x1,5	X RED 10/ 6 - L	
J1 M12x1,5 - M1 M18x1,5	X RED 12/ 6 - L	
J1 M12x1,5 - M1 M22x1,5	X RED 15/ 6 - L	
J1 M12x1,5 - M1 M26x1,5	X RED 18/ 6 - L	
J1 M12x1,5 - M1 M30x2	X RED 22/ 6 - L	
J1 M12x1,5 - M1 M36x2	X RED 28/ 6 - L	
J1 M12x1,5 - M1 M45x2	X RED 35/ 6 - L	
J1 M12x1,5 - M1 M52x2	X RED 42/ 6 - L	
J1 M14x1,5 - M1 M16x1,5	X RED 10/ 8 - L	
J1 M14x1,5 - M1 M18x1,5	X RED 12/ 8 - L	
J1 M14x1,5 - M1 M22x1,5	X RED 15/ 8 - L	
J1 M14x1,5 - M1 M26x1,5	X RED 18/ 8 - L	
J1 M14x1,5 - M1 M30x2	X RED 22/ 8 - L	
J1 M14x1,5 - M1 M36x2	X RED 28/ 8 - L	
J1 M14x1,5 - M1 M45x2	X RED 35/ 8 - L	
J1 M14x1,5 - M1 M52x2	X RED 42/ 8 - L	
J1 M16x1,5 - M1 M18x1,5	X RED 12/10 - L	
J1 M16x1,5 - M1 M22x1,5	X RED 15/10 - L	
J1 M16x1,5 - M1 M26x1,5	X RED 18/10 - L	
J1 M16x1,5 - M1 M30x2	X RED 22/10 - L	
J1 M16x1,5 - M1 M36x2	X RED 28/10 - L	
J1 M16x1,5 - M1 M45x2	X RED 35/10 - L	
J1 M16x1,5 - M1 M52x2	X RED 42/10 - L	
J1 M18x1,5 - M1 M22x1,5	X RED 15/12 - L	
J1 M18x1,5 - M1 M26x1,5	X RED 18/12 - L	
J1 M18x1,5 - M1 M30x2	X RED 22/12 - L	
J1 M18x1,5 - M1 M36x2	X RED 28/12 - L	
J1 M18x1,5 - M1 M45x2	X RED 35/12 - L	
J1 M18x1,5 - M1 M52x2	X RED 42/12 - L	
J1 M22x1,5 - M1 M26x1,5	X RED 18/15 - L	
J1 M22x1,5 - M1 M30x2	X RED 22/15 - L	
J1 M22x1,5 - M1 M36x2	X RED 28/15 - L	
J1 M22x1,5 - M1 M45x2	X RED 35/15 - L	
J1 M22x1,5 - M1 M52x2	X RED 42/15 - L	
J1 M26x1,5 - M1 M30x2	X RED 22/18 - L	
J1 M26x1,5 - M1 M36x2	X RED 28/18 - L	
J1 M26x1,5 - M1 M45x2	X RED 35/18 - L	
J1 M26x1,5 - M1 M52x2	X RED 42/18 - L	
J1 M30x2 - M1 M36x2	X RED 28/22 - L	
J1 M30x2 - M1 M45x2	X RED 35/22 - L	
J1 M30x2 - M1 M52x2	X RED 42/22 - L	
J1 M36x2 - M1 M45x2	X RED 35/28 - L	
J1 M36x2 - M1 M52x2	X RED 42/28 - L	
J1 M45x2 - M1 M52x2	X RED 42/35 - L	



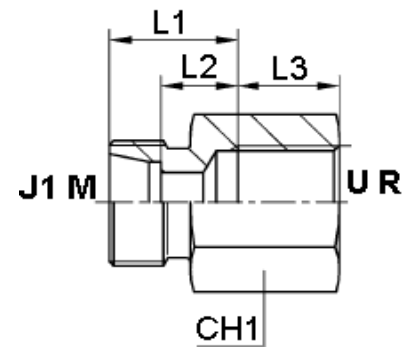
J1 M - P1	X GFS - L	-
J1 M22x1,5 - P1 30	X GFS 32/15 - L	
J1 M26x1,5 - P1 38	X GFS 33/18 - L	
J1 M30x2 - P1 38	X GFS 33/22 - L	
J1 M36x2 - P1 45	X GFS 34/28 - L	
J1 M45x2 - P1 51	X GFS 35/35 - L	
J1 M52x2 - P1 60	X GFS 36/42 - L	



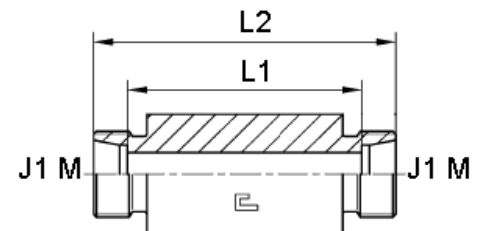
J1 M - U M	X GAI - L M	-
J1 M12x1,5 - U M10x1	X GAI 6 - L M	
J1 M14x1,5 - U M12x1,5	X GAI 8 - L M	
J1 M16x1,5 - U M14x1,5	X GAI 10 - L M	
J1 M18x1,5 - U M16x1,5	X GAI 12 - L M	
J1 M22x1,5 - U M18x1,5	X GAI 15 - L M	
J1 M26x1,5 - U M22x1,5	X GAI 18 - L M	
J1 M30x2 - U M26x1,5	X GAI 22 - L M	
J1 M36x2 - U M33x2	X GAI 28 - L M	
J1 M45x2 - U M42x2	X GAI 35 - L M	
J1 M52x2 - U M48x2	X GAI 42 - L M	



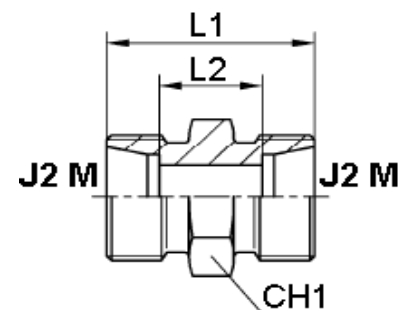
J1 M - U R	X GAI / X MAV - L R	-
J1 M12x1,5 - U R 1/8"	X GAI 6 - L R	
J1 M12x1,5 - U R 1/4"	X MAV 4 - L R	
J1 M14x1,5 - U R 1/4"	X GAI 8 - L R	
J1 M14x1,5 - U R 3/8"	X GAI 8 - L R3/8	
J1 M14x1,5 - U R 1/2"	X GAI 8 - L R1/2	
J1 M16x1,5 - U R 1/4"	X GAI 10 - L R	
J1 M16x1,5 - U R 3/8"	X GAI 10 - L R3/8	
J1 M16x1,5 - U R 1/2"	X GAI 10 - L R1/2	
J1 M18x1,5 - U R 1/4"	X MAV 12 - L R	
J1 M18x1,5 - U R 3/8"	X GAI 12 - L R	
J1 M18x1,5 - U R 1/2"	X GAI 12 - L R1/2	
J1 M22x1,5 - U R 1/2"	X GAI 15 - L R	
J1 M26x1,5 - U R 1/2"	X GAI 18 - L R	
J1 M30x2 - U R 3/4"	X GAI 22 - L R	
J1 M36x2 - U R 1"	X GAI 28 - L R	
J1 M45x2 - U R 1.1/4"	X GAI 35 - L R	
J1 M52x2 - U R 1.1/2"	X GAI 42 - L R	



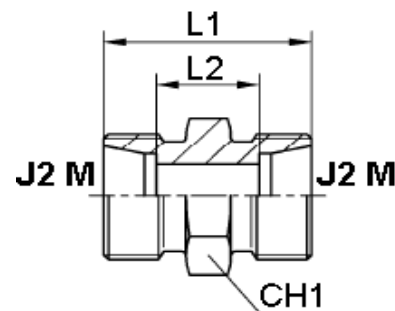
J1 M zav J1 M	X ESV - L	zavarni
J1 M12x1,5 zav J1 M12x1,5	X ESV 6 - L	
J1 M14x1,5 zav J1 M14x1,5	X ESV 8 - L	
J1 M16x1,5 zav J1 M16x1,5	X ESV 10 - L	
J1 M18x1,5 zav J1 M18x1,5	X ESV 12 - L	
J1 M22x1,5 zav J1 M22x1,5	X ESV 15 - L	
J1 M26x1,5 zav J1 M26x1,5	X ESV 18 - L	
J1 M30x2 zav J1 M30x2	X ESV 22 - L	
J1 M36x2 zav J1 M36x2	X ESV 28 - L	
J1 M45x2 zav J1 M45x2	X ESV 35 - L	
J1 M52x2 zav J1 M52x2	X ESV 42 - L	



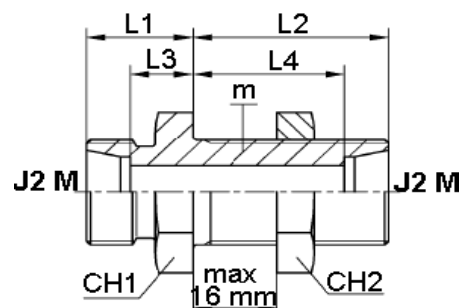
J2 M - J2 M	X G / X GR - S	-
J2 M14x1,5 - J2 M14x1,5	X G 6 - S	
J2 M14x1,5 - J2 M16x1,5	X GR 8/ 6 - S	
J2 M14x1,5 - J2 M18x1,5	X GR 10/ 6 - S	
J2 M14x1,5 - J2 M20x1,5	X GR 12/ 6 - S	
J2 M16x1,5 - J2 M16x1,5	X G 8 - S	
J2 M16x1,5 - J2 M18x1,5	X GR 10/ 8 - S	
J2 M16x1,5 - J2 M20x1,5	X GR 12/ 8 - S	
J2 M18x1,5 - J2 M18x1,5	X G 10 - S	
J2 M18x1,5 - J2 M20x1,5	X GR 12/10 - S	
J2 M18x1,5 - J2 M22x1,5	X GR 14/10 - S	



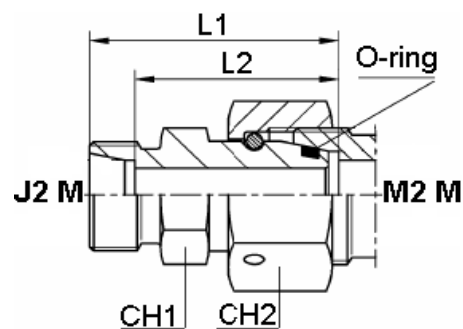
J2 M18x1,5 - J2 M30x2	X GR 20/10 - S
J2 M20x1,5 - J2 M20x1,5	X G 12 - S
J2 M20x1,5 - J2 M22x1,5	X GR 14/12 - S
J2 M20x1,5 - J2 M24x1,5	X GR 16/12 - S
J2 M20x1,5 - J2 M30x2	X GR 20/12 - S
J2 M22x1,5 - J2 M22x1,5	X G 14 - S
J2 M22x1,5 - J2 M24x1,5	X GR 16/14 - S
J2 M24x1,5 - J2 M24x1,5	X G 16 - S
J2 M24x1,5 - J2 M30x2	X GR 20/16 - S
J2 M24x1,5 - J2 M36x2	X GR 25/16 - S
J2 M30x2 - J2 M30x2	X G 20 - S
J2 M30x2 - J2 M36x2	X GR 25/20 - S
J2 M30x2 - J2 M42x2	X GR 30/20 - S
J2 M36x2 - J2 M36x2	X G 25 - S
J2 M36x2 - J2 M42x2	X GR 30/25 - S
J2 M42x2 - J2 M42x2	X G 30 - S
J2 M42x2 - J2 M52x2	X GR 38/30 - S
J2 M52x2 - J2 M52x2	X G 38 - S



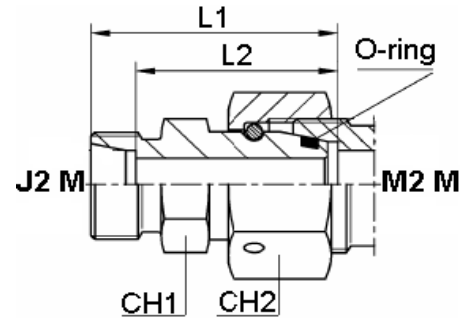
J2 M - J2 M p	X SV - S	prodluzeni navoj
J2 M14x1,5 - J2 M14x1,5 p	X SV 6 - S	
J2 M16x1,5 - J2 M16x1,5 p	X SV 8 - S	
J2 M18x1,5 - J2 M18x1,5 p	X SV 10 - S	
J2 M20x1,5 - J2 M20x1,5 p	X SV 12 - S	
J2 M22x1,5 - J2 M22x1,5 p	X SV 14 - S	
J2 M24x1,5 - J2 M24x1,5 p	X SV 16 - S	
J2 M30x2 - J2 M30x2 p	X SV 20 - S	
J2 M36x2 - J2 M36x2 p	X SV 25 - S	
J2 M42x2 - J2 M42x2 p	X SV 30 - S	
J2 M52x2 - J2 M52x2 p	X SV 38 - S	



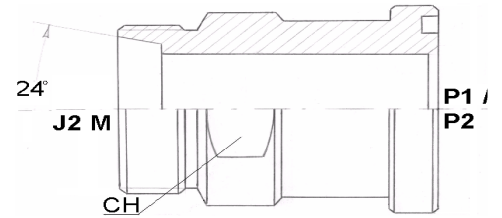
J2 M - M2 M	X RED - S	-
J2 M14x1,5 - M2 M16x1,5	X RED 8/ 6 - S	
J2 M14x1,5 - M2 M18x1,5	X RED 10/ 6 - S	
J2 M14x1,5 - M2 M20x1,5	X RED 12/ 6 - S	
J2 M14x1,5 - M2 M22x1,5	X RED 14/ 6 - S	
J2 M14x1,5 - M2 M24x1,5	X RED 16/ 6 - S	
J2 M14x1,5 - M2 M30x2	X RED 20/ 6 - S	
J2 M14x1,5 - M2 M36x2	X RED 25/ 6 - S	
J2 M14x1,5 - M2 M42x2	X RED 30/ 6 - S	
J2 M14x1,5 - M2 M52x2	X RED 38/ 6 - S	
J2 M16x1,5 - M2 M18x1,5	X RED 10/ 8 - S	
J2 M16x1,5 - M2 M20x1,5	X RED 12/ 8 - S	
J2 M16x1,5 - M2 M22x1,5	X RED 14/ 8 - S	
J2 M16x1,5 - M2 M24x1,5	X RED 16/ 8 - S	
J2 M16x1,5 - M2 M30x2	X RED 20/ 8 - S	
J2 M16x1,5 - M2 M36x2	X RED 25/ 8 - S	
J2 M16x1,5 - M2 M42x2	X RED 30/ 8 - S	
J2 M16x1,5 - M2 M52x2	X RED 38/ 8 - S	
J2 M18x1,5 - M2 M20x1,5	X RED 12/10 - S	
J2 M18x1,5 - M2 M22x1,5	X RED 14/10 - S	
J2 M18x1,5 - M2 M24x1,5	X RED 16/10 - S	
J2 M18x1,5 - M2 M30x2	X RED 20/10 - S	
J2 M18x1,5 - M2 M36x2	X RED 25/10 - S	
J2 M18x1,5 - M2 M42x2	X RED 30/10 - S	
J2 M18x1,5 - M2 M52x2	X RED 38/10 - S	
J2 M20x1,5 - M2 M22x1,5	X RED 14/12 - S	
J2 M20x1,5 - M2 M24x1,5	X RED 16/12 - S	
J2 M20x1,5 - M2 M30x2	X RED 20/12 - S	
J2 M20x1,5 - M2 M36x2	X RED 25/12 - S	
J2 M20x1,5 - M2 M42x2	X RED 30/12 - S	
J2 M20x1,5 - M2 M52x2	X RED 38/12 - S	
J2 M22x1,5 - M2 M24x1,5	X RED 16/14 - S	



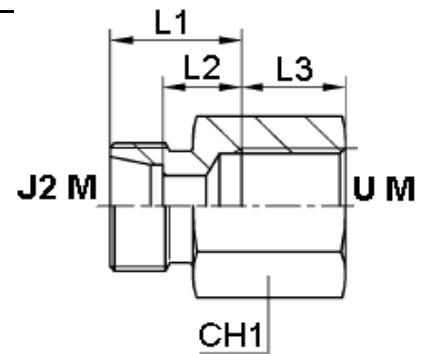
J2 M22x1,5 - M2 M30x2	X RED 20/14 - S
J2 M22x1,5 - M2 M36x2	X RED 25/14 - S
J2 M22x1,5 - M2 M42x2	X RED 30/14 - S
J2 M22x1,5 - M2 M52x2	X RED 38/14 - S
J2 M24x1,5 - M2 M30x2	X RED 20/16 - S
J2 M24x1,5 - M2 M36x2	X RED 25/16 - S
J2 M24x1,5 - M2 M42x2	X RED 30/16 - S
J2 M24x1,5 - M2 M52x2	X RED 38/16 - S
J2 M30x2 - M2 M36x2	X RED 25/20 - S
J2 M30x2 - M2 M42x2	X RED 30/20 - S
J2 M30x2 - M2 M52x2	X RED 38/20 - S
J2 M36x2 - M2 M42x2	X RED 30/25 - S
J2 M36x2 - M2 M52x2	X RED 38/25 - S
J2 M42x2 - M2 M52x2	X RED 38/30 - S



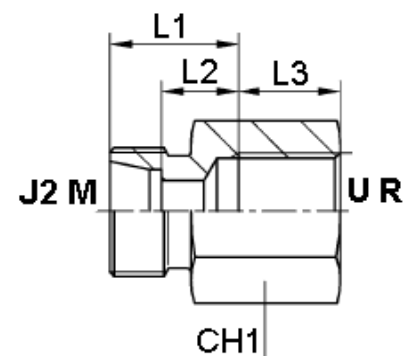
J2 M - P1 / P2	X GFS - S	-
J2 M24x1,5 - P1 30	X GFS 32/16 - S	
J2 M24x1,5 - P2 32	X GFS 62/16 - S	
J2 M24x1,5 - P2 41	X GFS 63/16 - S	
J2 M30x2 - P1 38	X GFS 33/20 - S	
J2 M30x2 - P2 41	X GFS 63/20 - S	
J2 M36x2 - P1 38	X GFS 33/25 - S	
J2 M36x2 - P1 51	X GFS 35/25 - S	
J2 M36x2 - P2 41	X GFS 63/25 - S	
J2 M36x2 - P2 48	X GFS 64/25 - S	
J2 M42x2 - P1 45	X GFS 34/30 - S	
J2 M42x2 - P1 51	X GFS 35/30 - S	
J2 M42x2 - P2 48	X GFS 64/30 - S	
J2 M42x2 - P2 54	X GFS 65/30 - S	
J2 M52x2 - P1 51	X GFS 35/38 - S	
J2 M52x2 - P1 60	X GFS 36/38 - S	
J2 M52x2 - P2 54	X GFS 65/38 - S	
J2 M52x2 - P2 64	X GFS 66/38 - S	



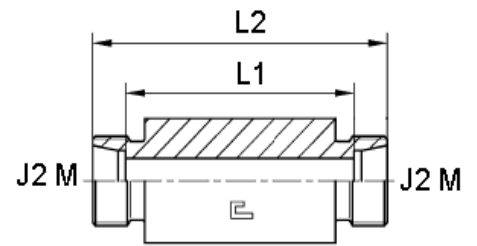
J2 M - U M	X GAI - S M	-
J2 M14x1,5 - U M12x1,5	X GAI 6 - S M	
J2 M16x1,5 - U M14x1,5	X GAI 8 - S M	
J2 M18x1,5 - U M16x1,5	X GAI 10 - S M	
J2 M20x1,5 - U M18x1,5	X GAI 12 - S M	
J2 M22x1,5 - U M20x1,5	X GAI 14 - S M	
J2 M24x1,5 - U M22x1,5	X GAI 16 - S M	
J2 M30x2 - U M27x2	X GAI 20 - S M	
J2 M36x2 - U M33x2	X GAI 25 - S M	
J2 M42x2 - U M42x2	X GAI 30 - S M	
J2 M52x2 - U M48x2	X GAI 38 - S M	



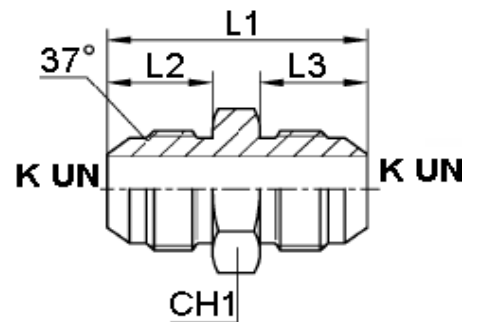
J2 M - U R	X GAI / X MAV - S R	-
J2 M14x1,5 - U R 1/4"	X GAI 6 - S R	
J2 M14x1,5 - U R 1/2"	X MAV 6 - S R	
J2 M16x1,5 - U R 1/4"	X GAI 8 - S R	
J2 M16x1,5 - U R 1/2"	X MAV 8 - S R	
J2 M18x1,5 - U R 3/8"	X GAI 10 - S R	
J2 M18x1,5 - U R 1/2"	X MAV 10 - S R	
J2 M20x1,5 - U R 3/8"	X GAI 12 - S R	
J2 M20x1,5 - U R 1/2"	X MAV 12 - S R	
J2 M22x1,5 - U R 1/2"	X GAI 14 - S R	
J2 M24x1,5 - U R 1/2"	X GAI 16 - S R	
J2 M30x2 - U R 3/4"	X GAI 20 - S R	
J2 M36x2 - U R 1"	X GAI 25 - S R	
J2 M42x2 - U R 1.1/4"	X GAI 30 - S R	
J2 M52x2 - U R 1.1/2"	X GAI 38 - S R	



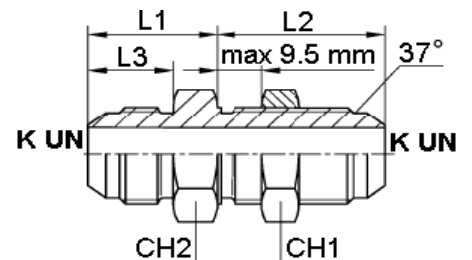
J2 M zav J2 M	X ESV - S	zavarni
J2 M14x1,5 zav J2 M14x1,5	X ESV 6 - S	
J2 M16x1,5 zav J2 M16x1,5	X ESV 8 - S	
J2 M18x1,5 zav J2 M18x1,5	X ESV 10 - S	
J2 M20x1,5 zav J2 M20x1,5	X ESV 12 - S	
J2 M22x1,5 zav J2 M22x1,5	X ESV 14 - S	
J2 M24x1,5 zav J2 M24x1,5	X ESV 16 - S	
J2 M30x2 zav J2 M30x2	X ESV 20 - S	
J2 M36x2 zav J2 M36x2	X ESV 25 - S	
J2 M42x2 zav J2 M42x2	X ESV 30 - S	
J2 M52x2 zav J2 M52x2	X ESV 38 - S	



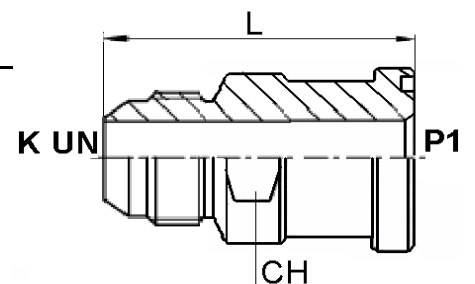
K UN/UNF - K UN/UNF	HMTX	-
K UNF 7/16" - K UNF 7/16"	4 HMTXS	
K UNF 7/16" - K UNF 9/16"	6- 4 HMTXS	
K UNF 1/ 2" - K UNF 1/ 2"	5 HMTXS	
K UNF 9/16" - K UNF 9/16"	6 HMTXS	
K UNF 9/16" - K UNF 3/ 4"	8- 6 HMTXS	
K UNF 3/ 4" - K UNF 3/ 4"	8 HMTXS	
K UNF 3/ 4" - K UNF 7/ 8"	10- 8 HMTXS	
K UNF 3/ 4" - K UN1.1/16"	12- 8 HMTXS	
K UNF 7/ 8" - K UNF 7/ 8"	10 HMTXS	
K UNF 7/ 8" - K UN1.1/16"	12-10 HMTXS	
K UN1.1/16" - K UN1.1/16"	12 HMTXS	
K UN1.1/16" - K UN1.5/16"	16-12 HMTXS	
K UN1.5/16" - K UN1.5/16"	16 HMTXS	
K UN1.5/ 8" - K UN1.5/ 8"	20 HMTXS	
K UN1.7/ 8" - K UN1.7/ 8"	24 HMTXS	



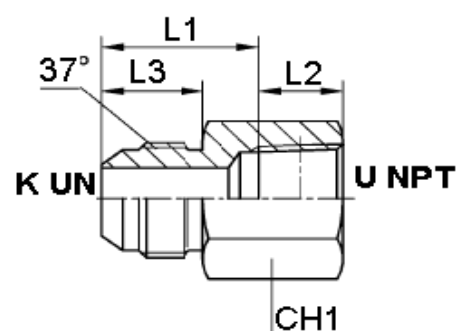
K UN/UNF - K UN/UNF p	WMTX	produženi navoj
K UNF 7/16" - K UNF 7/16" p	4 WMTXS	
K UNF 1/ 2" - K UNF 1/ 2" p	5 WMTXS	
K UNF 9/16" - K UNF 9/16" p	6 WMTXS	
K UNF 3/ 4" - K UNF 3/ 4" p	8 WMTXS	
K UNF 7/ 8" - K UNF 7/ 8" p	10 WMTXS	
K UN1.1/16" - K UN1.1/16" p	12 WMTXS	
K UN1.5/16" - K UN1.5/16" p	16 WMTXS	
K UN1.5/ 8" - K UN1.5/ 8" p	20 WMTXS	
K UN1.7/ 8" - K UN1.7/ 8" p	24 WMTXS	



K UN/UNF - P1	-	-
K UNF 3/ 4" - P1 30		
K UN1.1/16" - P1 38		
K UN1.5/16" - P1 45		
K UN1.5/16" - P1 51		
K UN1.5/ 8" - P1 51		
K UN1.7/ 8" - P1 60		

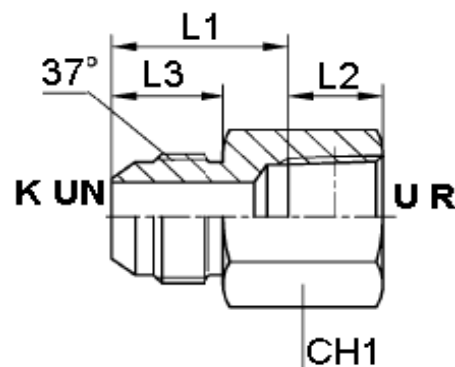


K UN/UNF - U NPT	GMTX	-
K UNF 7/16" - U NPT 1/8"	4 GMTXS	
K UNF 7/16" - U NPT 1/4"	4- 4 GMTXS	
K UNF 1/ 2" - U NPT 1/8"	5 GMTXS	
K UNF 1/ 2" - U NPT 1/4"	5- 4 GMTXS	
K UNF 9/16" - U NPT 1/4"	6 GMTXS	
K UNF 9/16" - U NPT 3/8"	6- 6 GMTXS	
K UNF 3/ 4" - U NPT 1/4"	8- 4 GMTXS	
K UNF 3/ 4" - U NPT 3/8"	8 GMTXS	
K UNF 3/ 4" - U NPT 1/2"	8- 8 GMTXS	
K UNF 7/ 8" - U NPT 1/2"	10 GMTXS	
K UN1.1/16" - U NPT 1/2"	12- 8 GMTXS	
K UN1.1/16" - U NPT 3/4"	12 GMTXS	
K UN1.5/16" - U NPT 1"	16 GMTXS	

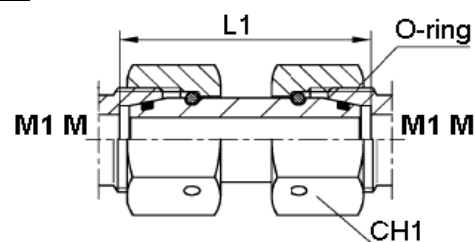


K UN1.5/ 8" - U NPT1.1/4"	20	GMTXS
K UN1.7/ 8" - U NPT1.1/2"	20	GMTXS

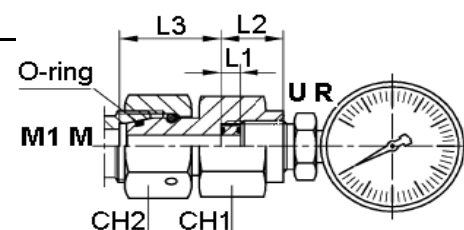
K UN/UNF - U R	G4MX	-
K UNF 7/16" - U R 1/8"	4	G4MXS
K UNF 7/16" - U R 1/4"	4- 4	G4MXS
K UNF 1/ 2" - U R 1/8"	5	G4MXS
K UNF 1/ 2" - U R 1/4"	5- 4	G4MXS
K UNF 9/16" - U R 1/4"	6	G4MXS
K UNF 9/16" - U R 3/8"	6- 6	G4MXS
K UNF 9/16" - U R 1/2"	6- 8	G4MXS
K UNF 3/ 4" - U R 1/4"	8- 4	G4MXS
K UNF 3/ 4" - U R 3/8"	8	G4MXS
K UNF 3/ 4" - U R 1/2"	8- 8	G4MXS
K UNF 7/ 8" - U R 1/2"	10	G4MXS
K UN1.1/16" - U R 1/2"	12- 8	G4MXS
K UN1.1/16" - U R 3/4"	12	G4MXS
K UN1.5/16" - U R 1"	16	G4MXS
K UN1.5/ 8" - U R 1"	20-16	G4MXS
K UN1.5/ 8" - U R 1.1/4"	20	G4MXS
K UN1.7/ 8" - U R 1.1/4"	24-20	G4MXS
K UN1.7/ 8" - U R 1.1/2"	24	G4MXS



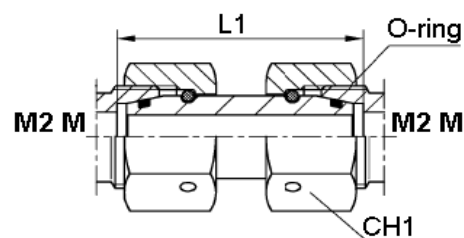
M1 M - M1 M	GZ - L	matice s osiguračima *
M1 M12x1,5 - M1 M12x1,5	GZ 6 - L	
M1 M14x1,5 - M1 M14x1,5	GZ 8 - L	
M1 M16x1,5 - M1 M16x1,5	GZ 10 - L	
M1 M18x1,5 - M1 M18x1,5	GZ 12 - L	
M1 M22x1,5 - M1 M22x1,5	GZ 15 - L	
M1 M26x1,5 - M1 M26x1,5	GZ 18 - L	
M1 M30x2 - M1 M30x2	GZ 22 - L	
M1 M36x2 - M1 M36x2	GZ 28 - L	
M1 M45x2 - M1 M45x2	GZ 35 - L	
M1 M52x2 - M1 M52x2	GZ 42 - L	



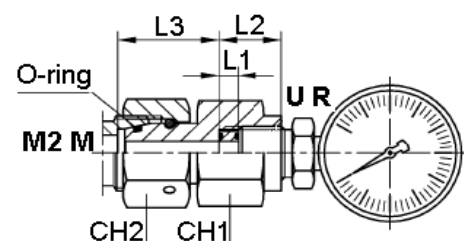
M1 M - U R	MAVE - LR	za manometre
M1 M12x1,5 - U R 1/4"	MAVE 6 - LR	
M1 M14x1,5 - U R 1/4"	MAVE 8 - LR	
M1 M16x1,5 - U R 1/4"	MAVE 10 - LR	
M1 M18x1,5 - U R 1/4"	MAVE 12 - LR	



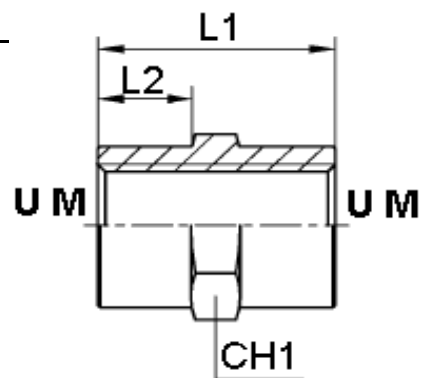
M2 M - M2 M	GZ - S	matice s osiguračima *
M2 M14x1,5 - M2 M14x1,5	GZ 6 - S	
M2 M16x1,5 - M2 M16x1,5	GZ 8 - S	
M2 M18x1,5 - M2 M18x1,5	GZ 10 - S	
M2 M20x1,5 - M2 M20x1,5	GZ 12 - S	
M2 M22x1,5 - M2 M22x1,5	GZ 14 - S	
M2 M24x1,5 - M2 M24x1,5	GZ 16 - S	
M2 M30x2 - M2 M30x2	GZ 20 - S	
M2 M36x2 - M2 M36x2	GZ 25 - S	
M2 M42x2 - M2 M42x2	GZ 30 - S	
M2 M52x2 - M2 M52x2	GZ 38 - S	



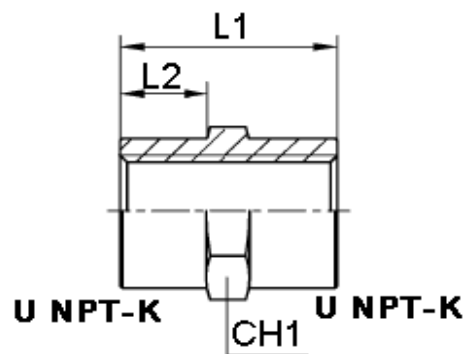
M2 M - U R	MAVE - SR	za manometre
M2 M14x1,5 - U R 1/4"	MAVE 6 - SR1/4"	
M2 M14x1,5 - U R 1/2"	MAVE 6 - SR	
M2 M16x1,5 - U R 1/4"	MAVE 8 - SR1/4"	
M2 M16x1,5 - U R 1/2"	MAVE 8 - SR	
M2 M18x1,5 - U R 1/4"	MAVE 10 - SR1/4"	
M2 M18x1,5 - U R 1/2"	MAVE 10 - SR	
M2 M20x1,5 - U R 1/4"	MAVE 12 - SR1/4"	
M2 M20x1,5 - U R 1/2"	MAVE 12 - SR	



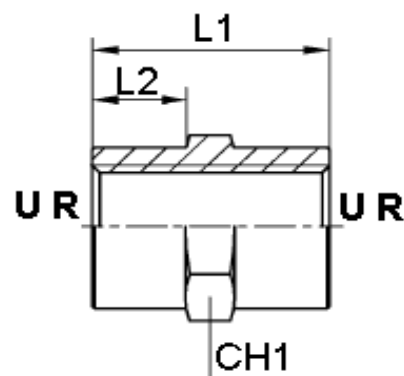
UM - UM		-	-
UM10x1	- UM10x1		
UM14x1,5	- UM14x1,5		
UM16x1,5	- UM16x1,5		
UM22x1,5	- UM22x1,5		
UM27x2	- UM27x2		
UM33x2	- UM33x2		
UM42x2	- UM42x2		
UM48x2	- UM48x2		



UNPT - UNPT		-	-
UNPT 1/8"K	- UNPT 1/8"K		
UNPT 1/8"K	- UNPT 1/4"K		
UNPT 1/8"K	- UNPT 3/8"K		
UNPT 1/4"K	- UNPT 1/4"K		
UNPT 1/4"K	- UNPT 3/8"K		
UNPT 1/4"K	- UNPT 1/2"K		
UNPT 1/4"K	- UNPT 3/4"K		
UNPT 3/8"K	- UNPT 3/8"K		
UNPT 3/8"K	- UNPT 1/2"K		
UNPT 1/2"K	- UNPT 1/2"K		
UNPT 1/2"K	- UNPT 3/4"K		
UNPT 3/4"K	- UNPT 3/4"K		
UNPT1"K	- UNPT1"K		
UNPT1.1/4"K	- UNPT1.1/4"K		
UNPT1.1/2"K	- UNPT1.1/2"K		



UR - UR		-	-
UR 1/8"	- UR 1/8"		
UR 1/8"	- UR 1/4"		
UR 1/8"	- UR 3/8"		
UR 1/4"	- UR 1/4"		
UR 1/4"	- UR 3/8"		
UR 1/4"	- UR 1/2"		
UR 1/4"	- UR 3/4"		
UR 3/8"	- UR 3/8"		
UR 3/8"	- UR 1/2"		
UR 1/2"	- UR 1/2"		
UR 1/2"	- UR 3/4"		
UR 3/4"	- UR 3/4"		
UR1"	- UR1"		
UR1.1/4"	- UR1.1/4"		
UR1.1/2"	- UR1.1/2"		



- Napomene :**
- * Na upit dostavljamo tehničke karakteristike i cijene ovih ravnih nipelâ i redukcija bez ugrađenih O-ringova. Oni se iako jeftiniji sve manje proizvode i koriste zbog potrebe za dodatnim brtvama kod uvrtanja u "rupe" s unutarnjim navojem.
 - Navedene paralelene oznake tvrtke "Parker" su ERMETO za nipele i redukcije sa glavama J i M sa metričkim navojem prema DIN 2353, TRIPLE-LOK sa glavama D i K s UN/UNF navojima prema SAE J514 (JIC) i O-LOK sa glavama C i G s UN/UNF/UNS navojima prema SAE J1453 (ORFS).
 - GB UN/UNF glave karakterizira ravno čelo (bez O-ringa kojeg imaju G UN/UNF/UNS glave), navoj kakav inače imaju K UN/UNF glave i šesterokut sa O-ringom koji omogućava brtvljenje prilikom uvrtanja u "rupe" s unutarnjim navojem.